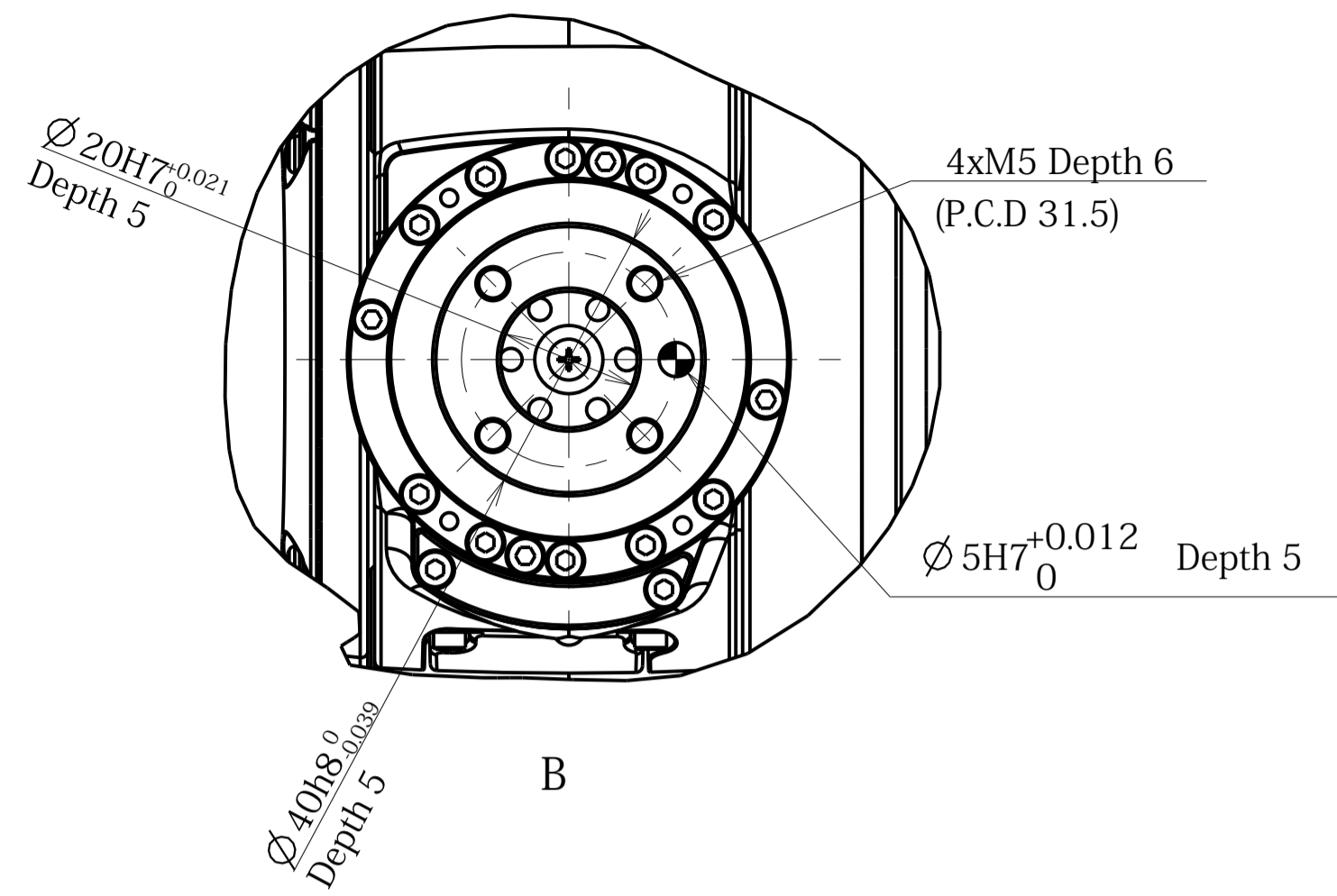
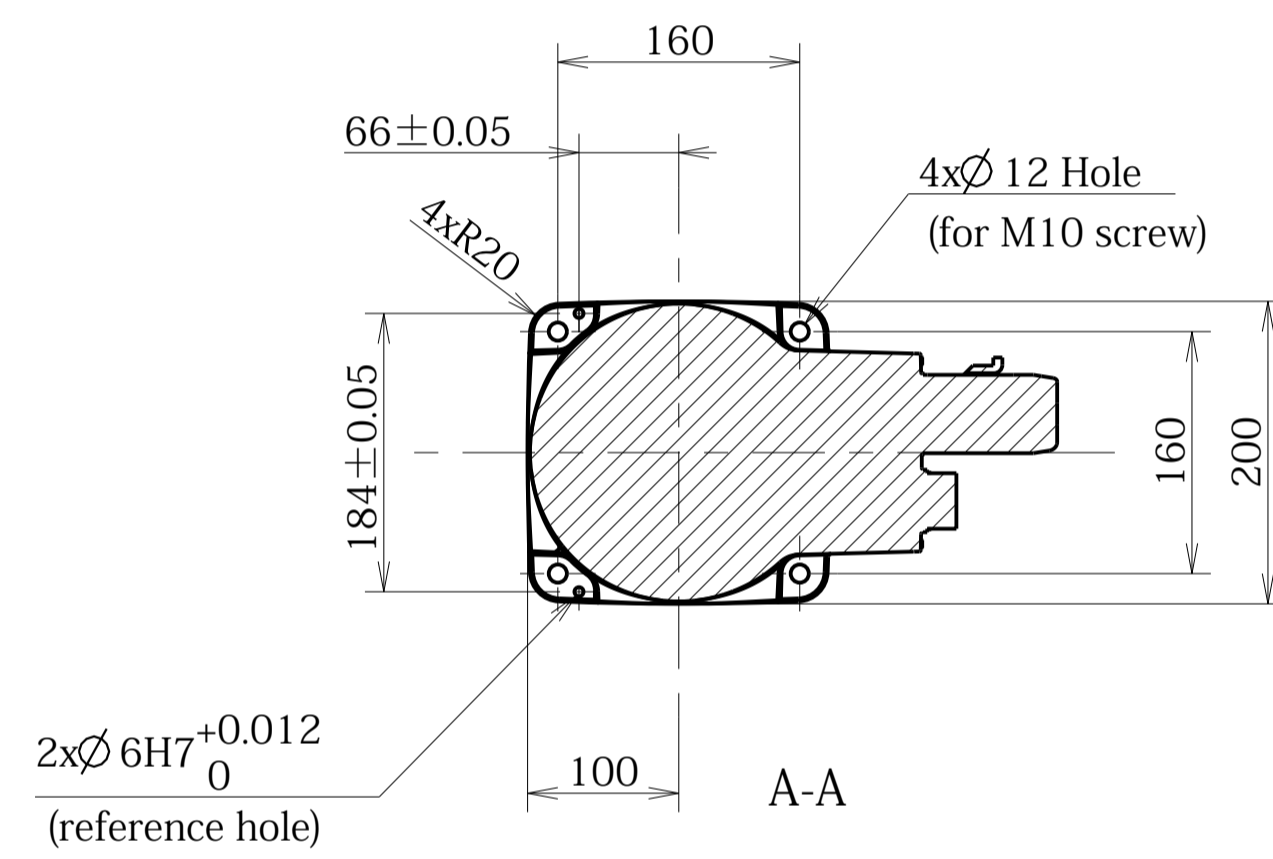


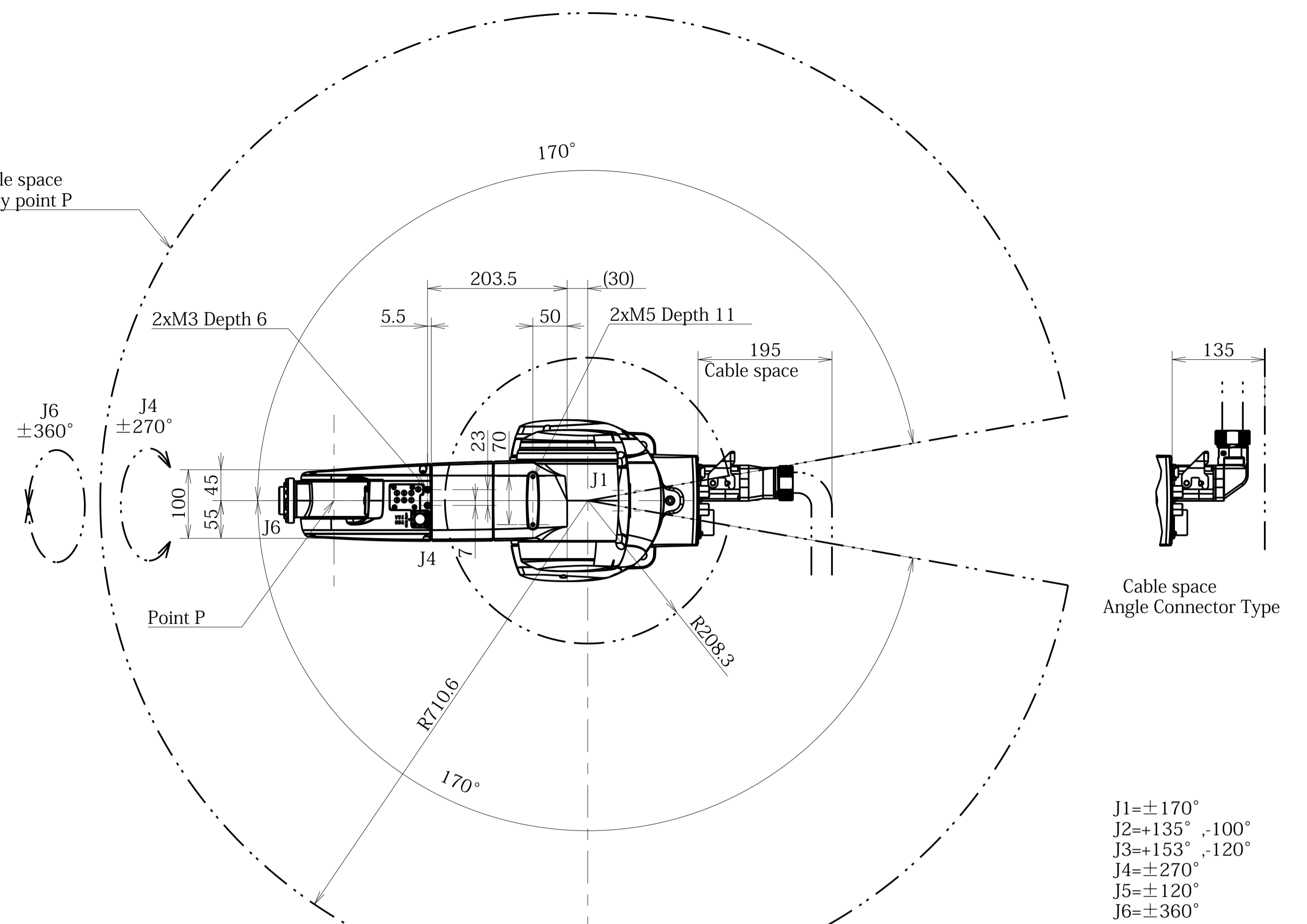
Detailed drawing of end-effector mounting face



Detailed drawing of base mounting face



Workable space
definid by point P



Cable space
Angle Connector Type

- J1= $\pm 170^\circ$
- J2= $+135^\circ, -100^\circ$
- J3= $+153^\circ, -120^\circ$
- J4= $\pm 270^\circ$
- J5= $\pm 120^\circ$
- J6= $\pm 360^\circ$

Workable space
definid by point P

