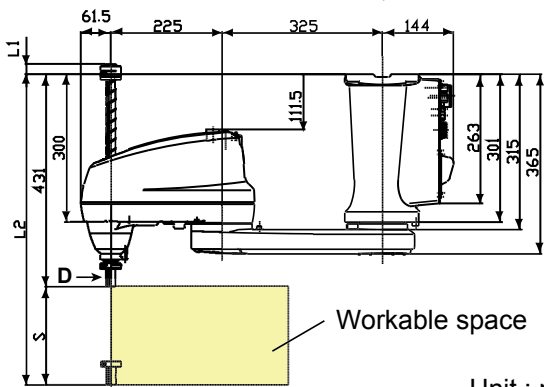
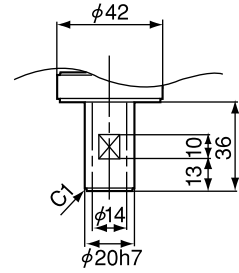
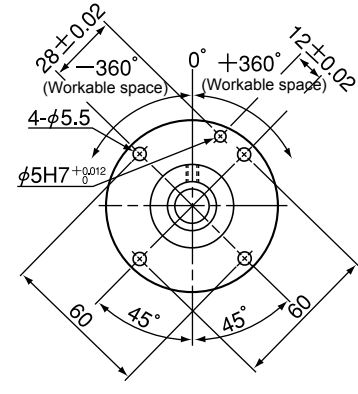
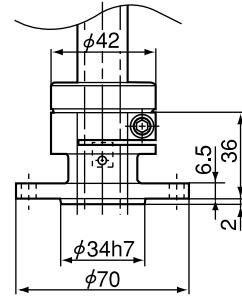


Detailed drawing of hand mounting face (Viewed from D)

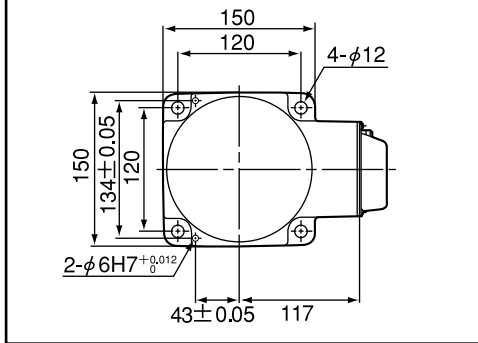


Flange (Option) mounting face



Unit : mm

Base mounting dimensions (Viewed from top)



Model	S	L1	L2
HSS-45551G	150	-30	581
HSS-45552G	200	20	631
HSS-45553G	320	140	751

Note : In case of the overhead-mount, the Z axis in the uppermost position may reach higher than the base mounting face. Be careful with the interference with surrounding facilities.