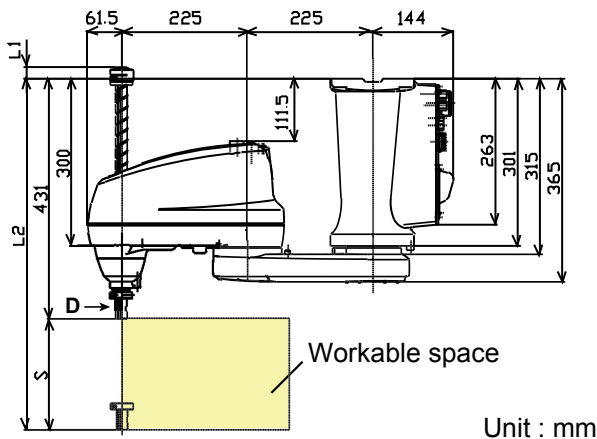
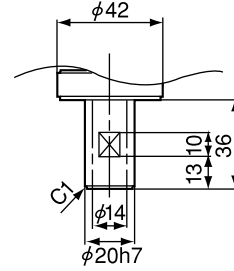
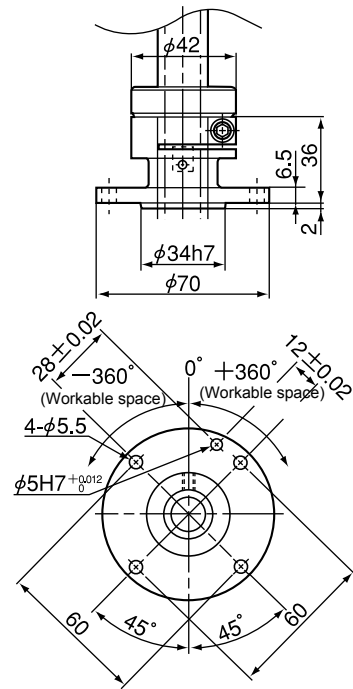


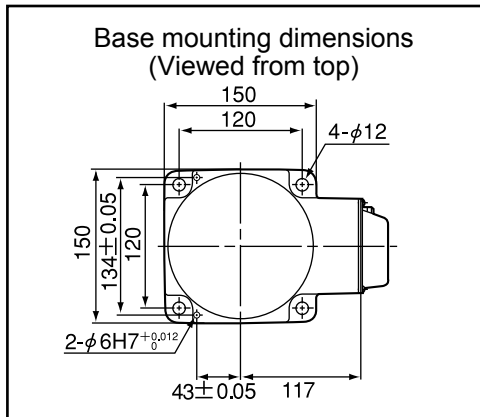
Detailed drawing of hand mounting face (Viewed from D)



Flange (Option) mounting face



Base mounting dimensions (Viewed from top)



Model	S	L1	L2
HSS-45451G	150	-30	581
HSS-45452G	200	20	631
HSS-45453G	320	140	751

Note : In case of the overhead-mount, the Z axis in the uppermost position may reach higher than the base mounting face. Be careful with the interference with surrounding facilities.