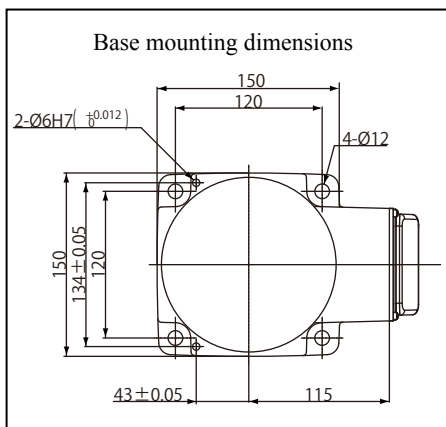


Unit: mm



Model	A	B	C
HS035A1-N*	350	125	143
HS045A1-N*	450	225	136
HS055A1-N*	550	325	191

Note: Values enclosed in <> denote dimensions for the dust- & splash-proof type or cleanroom type.

S(mm)	Type	L1	L2	L3
*=10:100	Standard	597	246	146
	Dust- & splash-proof	690	206	106
	Cleanroom, Bellows	698		
*=15:150	Standard	647	246	96
	Dust- & splash-proof	740	206	56
	Cleanroom, Bellows	748		
*=20:200	Standard	697	246	46
	Dust- & splash-proof	790	206	6
	Cleanroom, Bellows	798		
*=30:320	Standard	817	246	-74*1
	Dust- & splash-proof	910	206	-114*1
	Cleanroom, Bellows	918		

*1 If the Z-axis stroke is 320mm, the Z axis in the lowermost position may reach below the base mounting face.