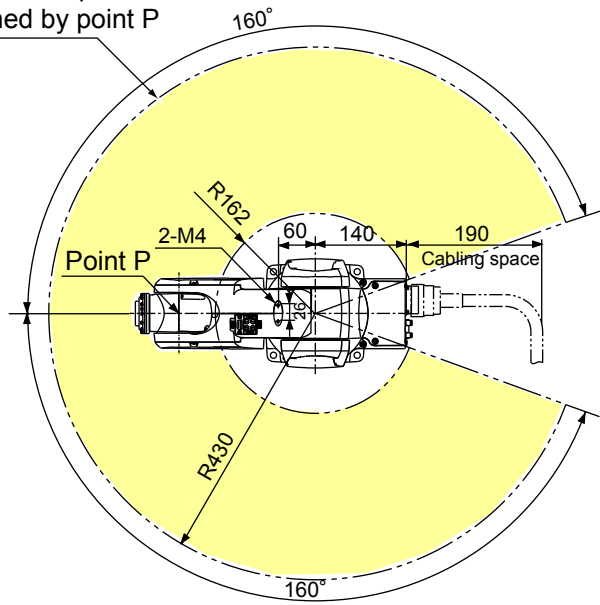
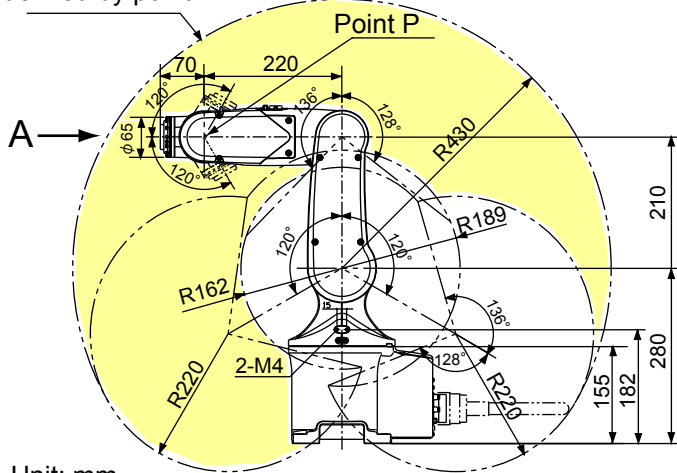


Workable space defined by point P

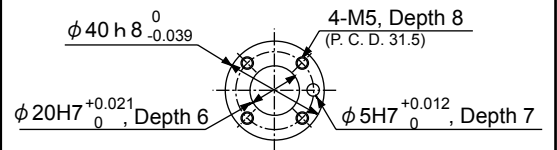


Workable space defined by point P



Unit: mm

Detailed drawing of end-effector mounting face (View A)



Detailed drawing of base mounting face (Top view)

