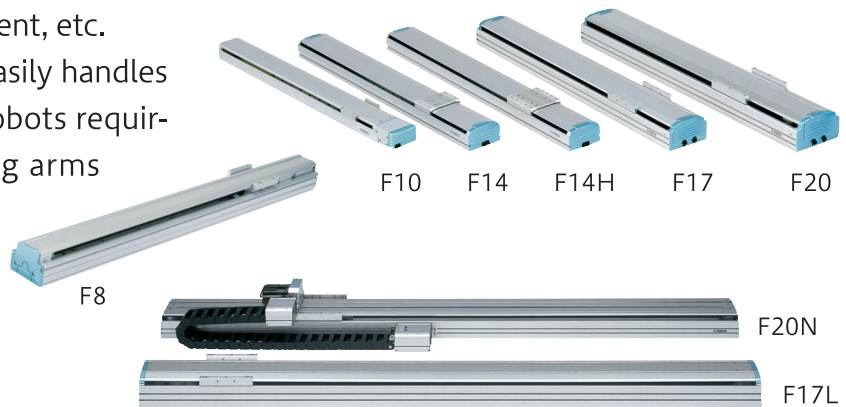


# Single-axis Robot FLIP-X Series

## F type High rigidity frame model

A single-axis robot that can be used in a variety of applications including processing and assembly lines, inspection equipment, etc. Large inertial moment capacity, easily handles offset loads. Ideal for Cartesian robots requiring arm strength, and for moving arms that shift the entire axis.

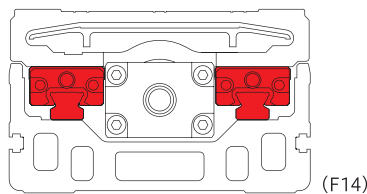


Scan here for product information details



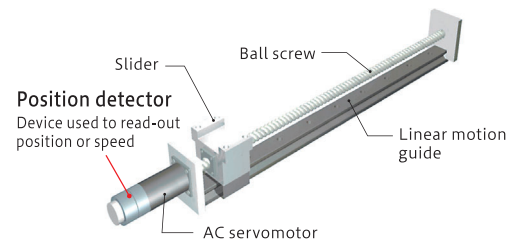
### Features

- [High Rigidity] Ideal for carrying heavy payloads  
Two guide rails are laid out on a high rigidity aluminum extruded material frame. Strong against large load moments making it ideal for carrying heavy objects.

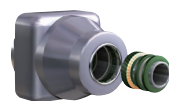


- [High Durability] Reduces maintenance costs  
Employs high rigidity ball screw or guide, providing excellent durability. Service life calculations can be carried out on our website.

- [High Precision] Uses a resolver for the position detector  
Motor position is detected using a resolver with a reputation for reliability. This enables stable position detection even in poor environments with a lot of dust, oil mist, etc. It also boasts a high resolution of 20,480 pulses per revolution.



### Resolver



- Magnetic type
- Simple structure of just iron core and winding has less potential for failure
- Immune to shock and electric noise

High reliability

Yamaha Motor Co., Ltd. Robotics Operations  
FA Section Sales & Marketing Division

Website

<https://global.yamaha-motor.com/business/robot>

Contact us

[robotn@yamaha-motor.co.jp](mailto:robotn@yamaha-motor.co.jp)

