

Combined Pump and Gripper

VGS5010 Series

Saves energy by efficiently generating a vacuum with a built-in multi-stage ejector.

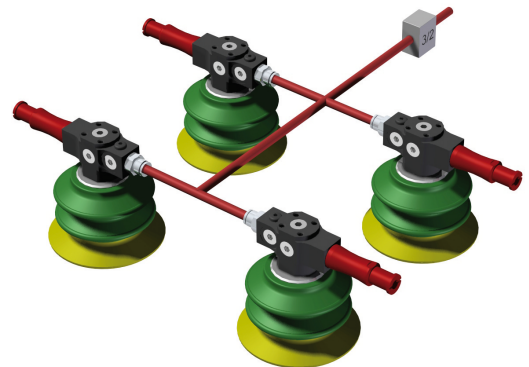
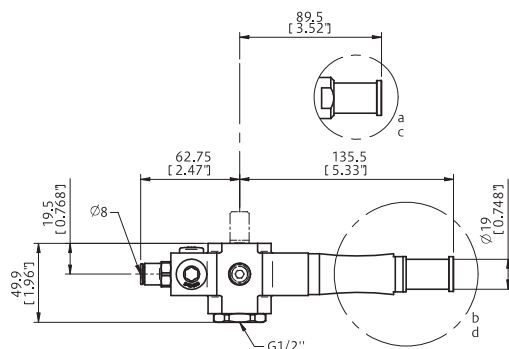


Scan here
for product
information
details



Features

- Reduces compressed air usage by around 40% compared to conventional single-stage ejectors.
- Select the optimal ejector for your application from three types with varying abilities (Pi, Si or Xi).
- Lightweight and easy to use.
- Integrated suction cups eliminate loss from vacuum piping and speed up applications.
- Design concept aiming for a robotic hand.



PIAB AB

Website

<https://www.piab.com/>

