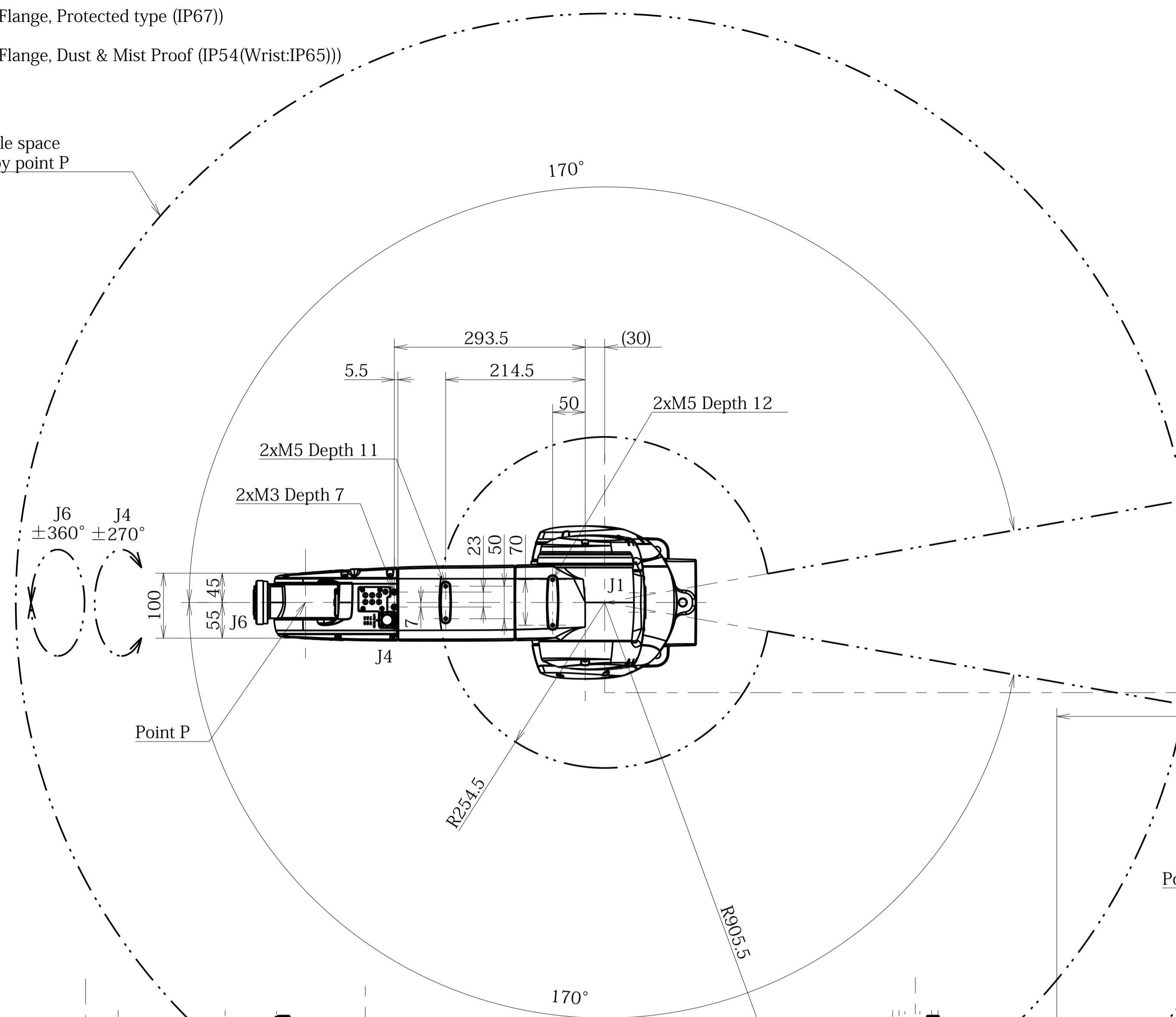
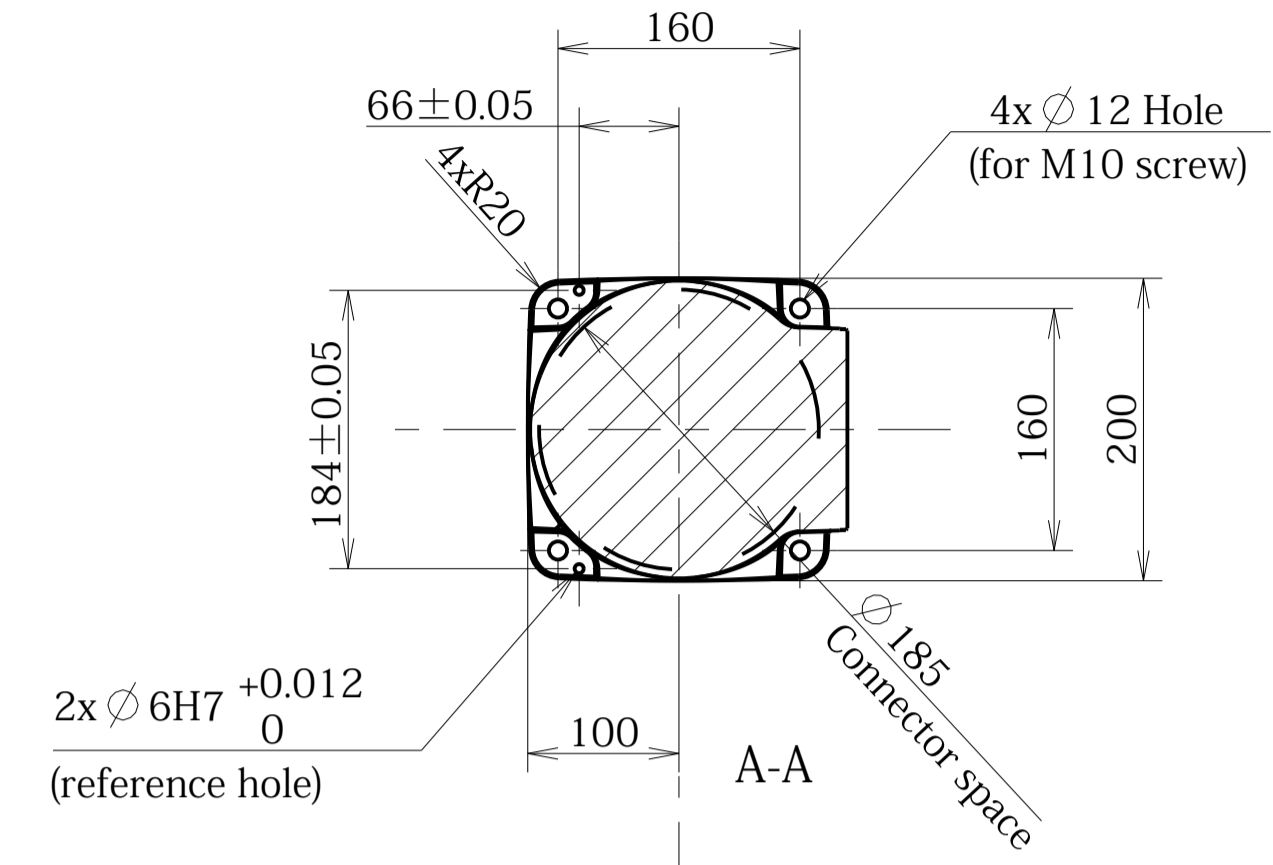


VS-087 (Bottom Connector Panel, Standard Flange, Protected type (IP67))
 410590-3280
 VS-087 (Bottom Connector Panel, Standard Flange, Dust & Mist Proof (IP54(Wrist:IP65)))
 410590-3440

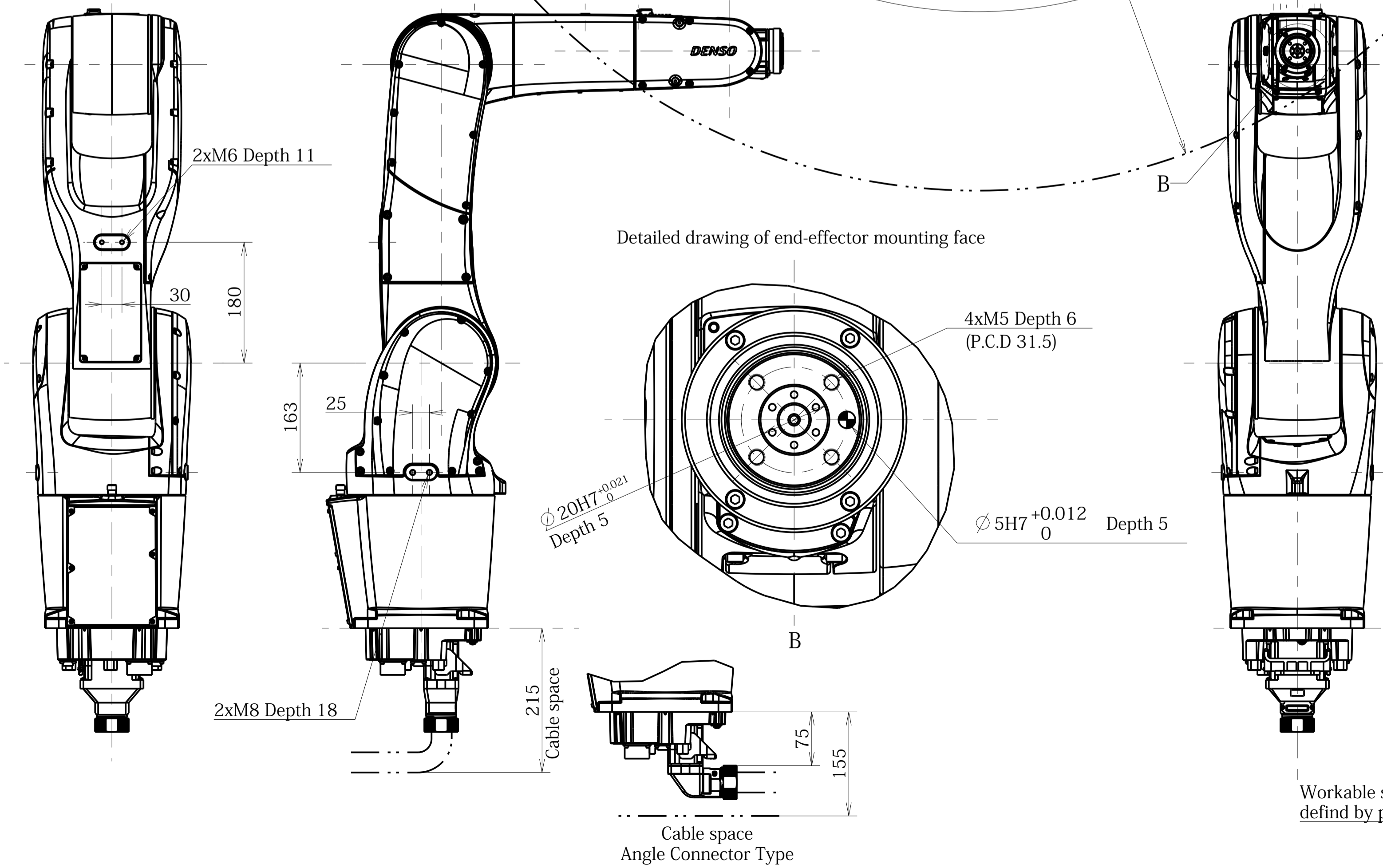
Workable space
 defined by point P



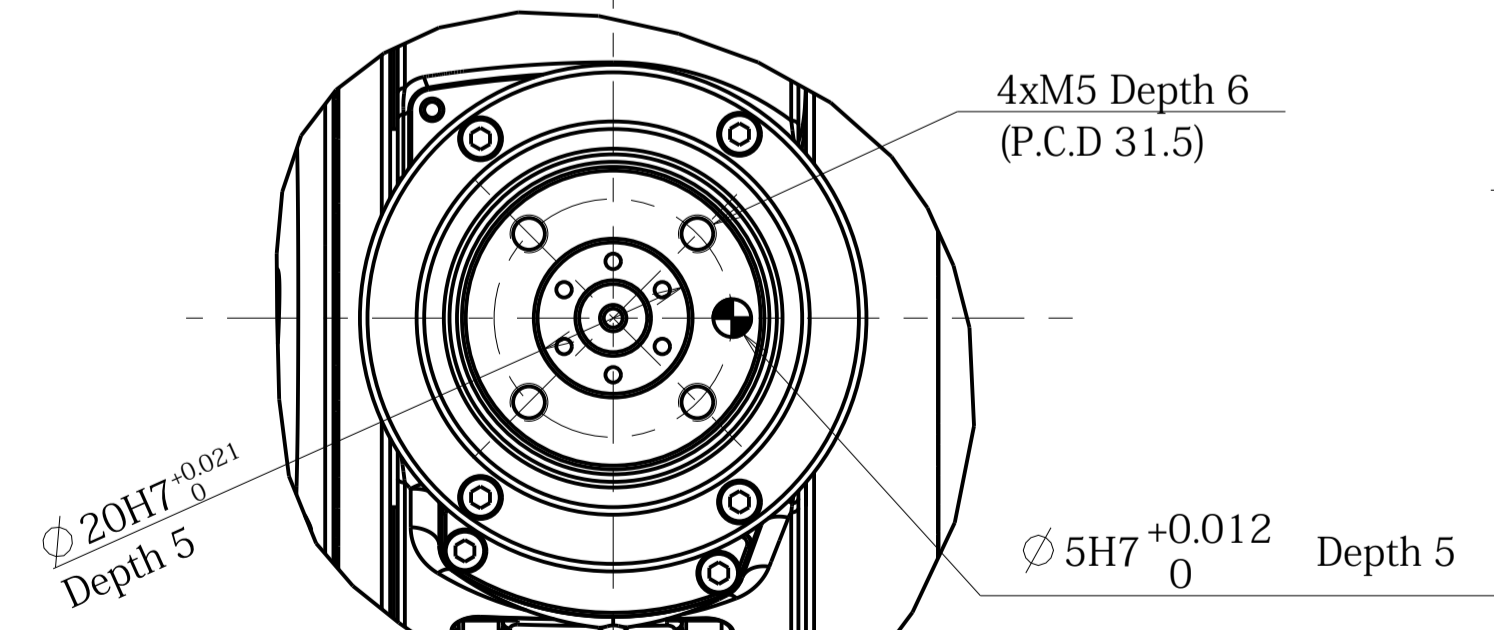
Detailed drawing of base mounting face



J1=±170°
 J2=+135° -100°
 J3=+153° -136°
 J4=±270°
 J5=±120°
 J6=±360°



Detailed drawing of end-effector mounting face



Workable space
 defined by point P

