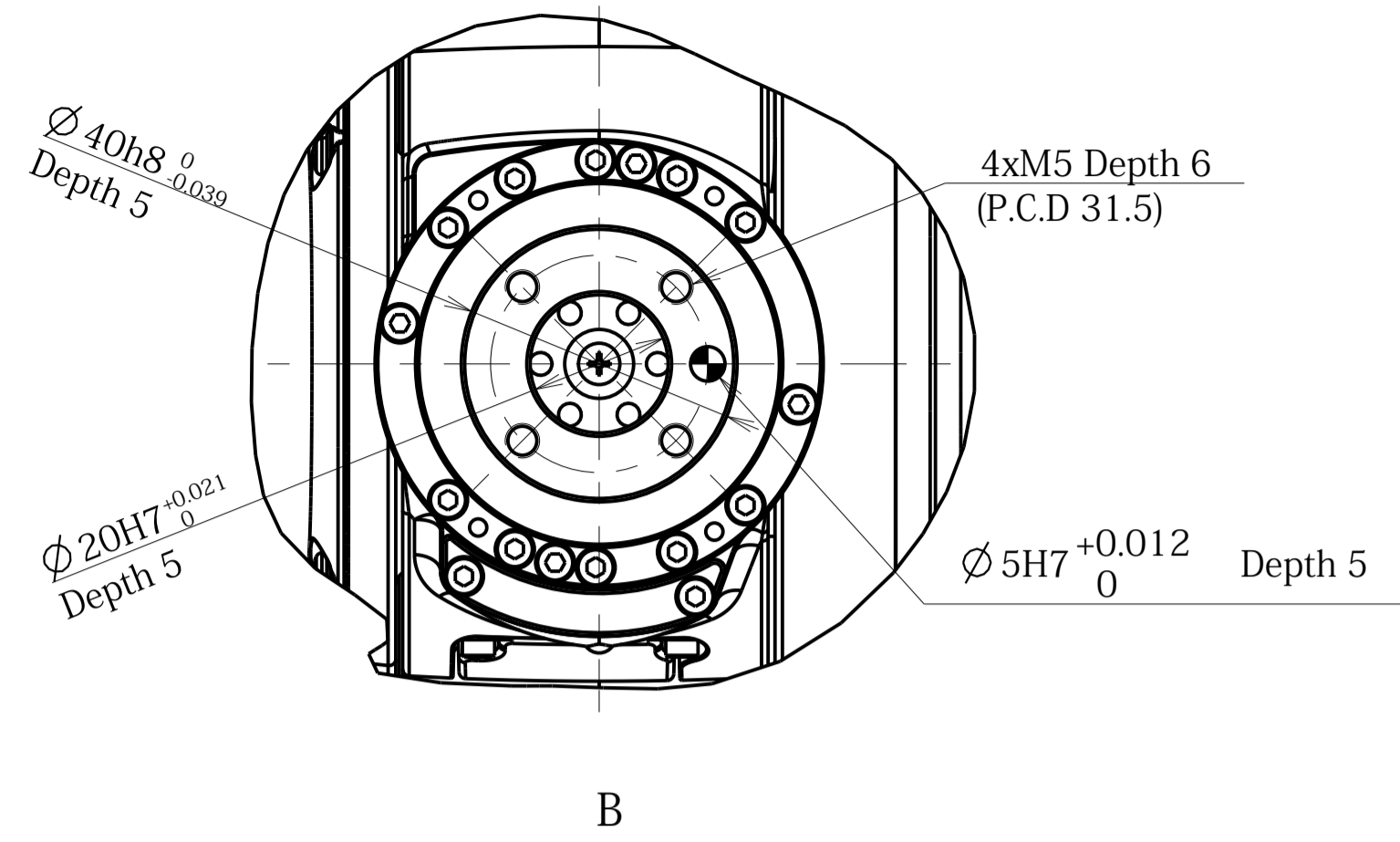
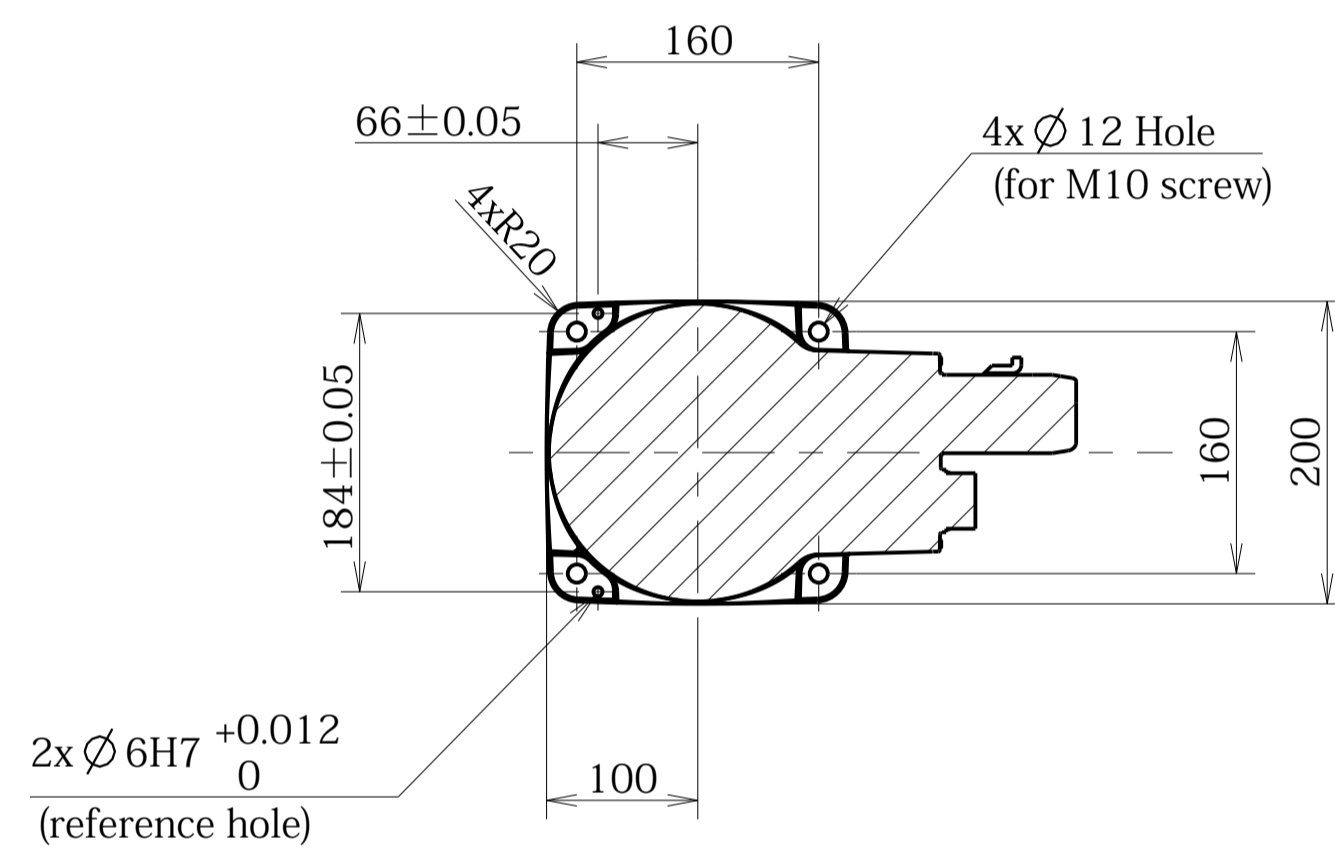


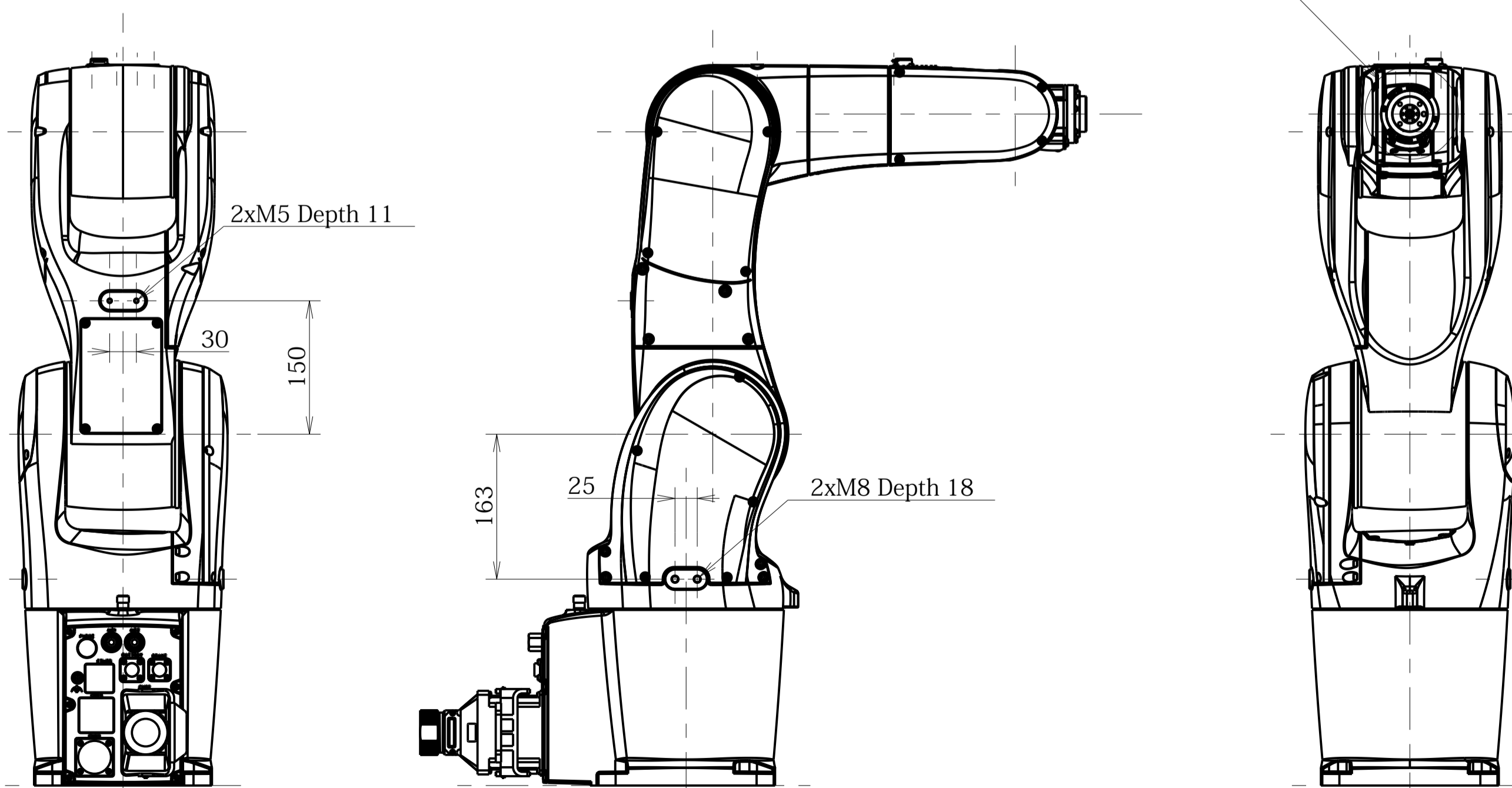
Detailed drawing of end-effector mounting face



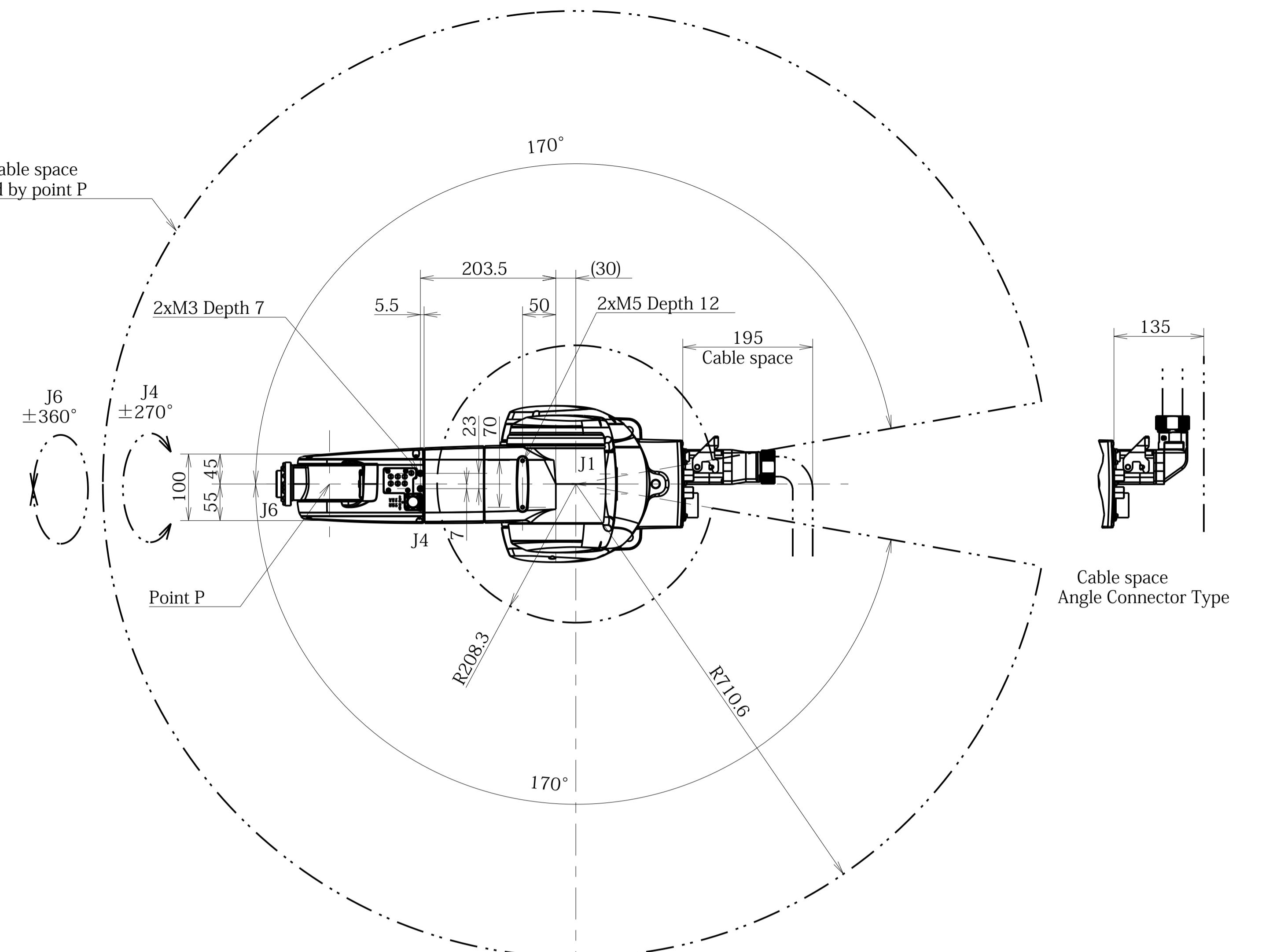
Detailed drawing of base mounting face



B



Workable space
definid by point P



Cable space
Angle Connector Type

$J1 = \pm 170^\circ$
 $J2 = +135^\circ, -100^\circ$
 $J3 = +153^\circ, -120^\circ$
 $J4 = \pm 270^\circ$
 $J5 = \pm 120^\circ$
 $J6 = \pm 360^\circ$

Workable space
definid by point P

