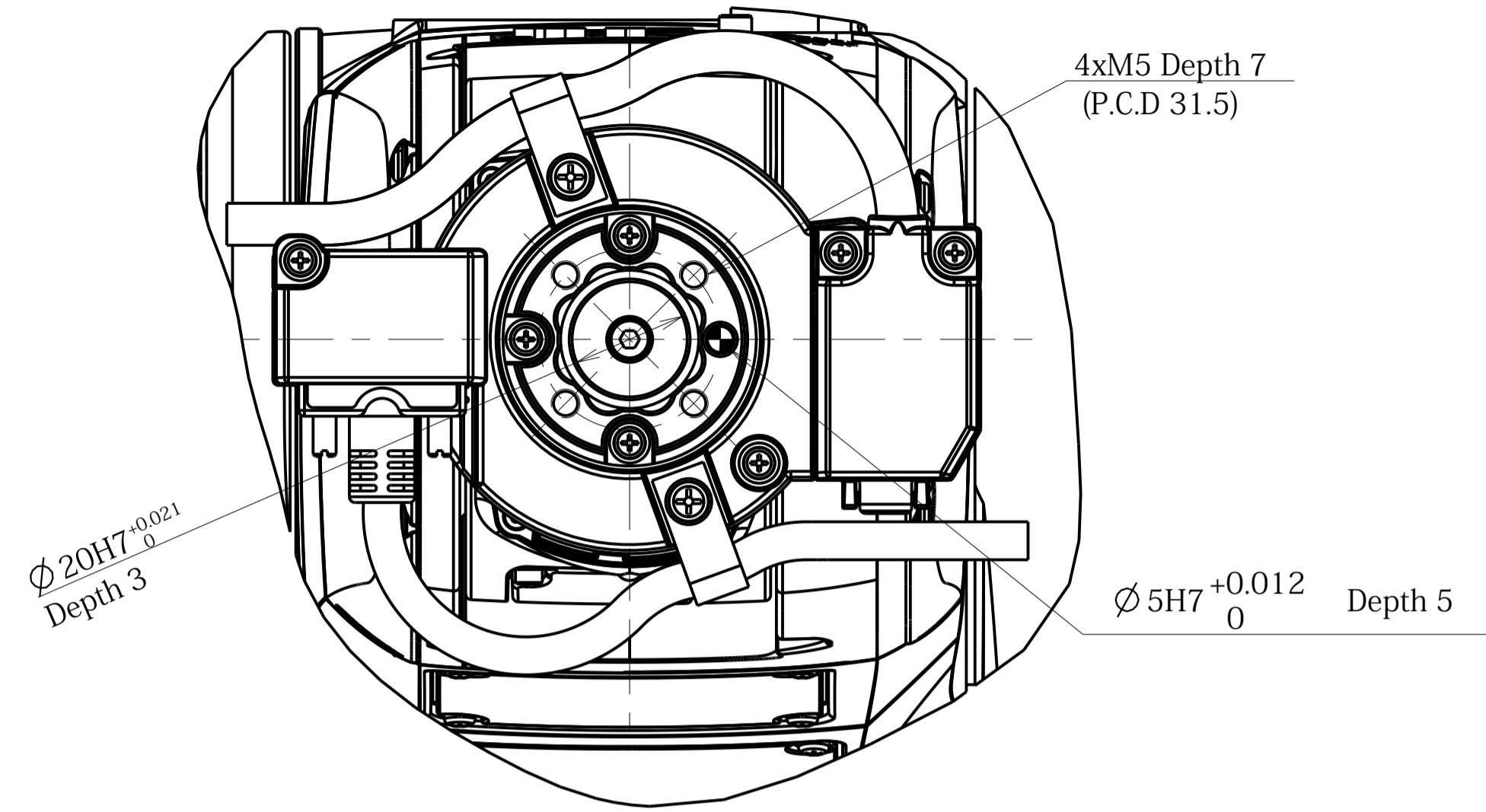
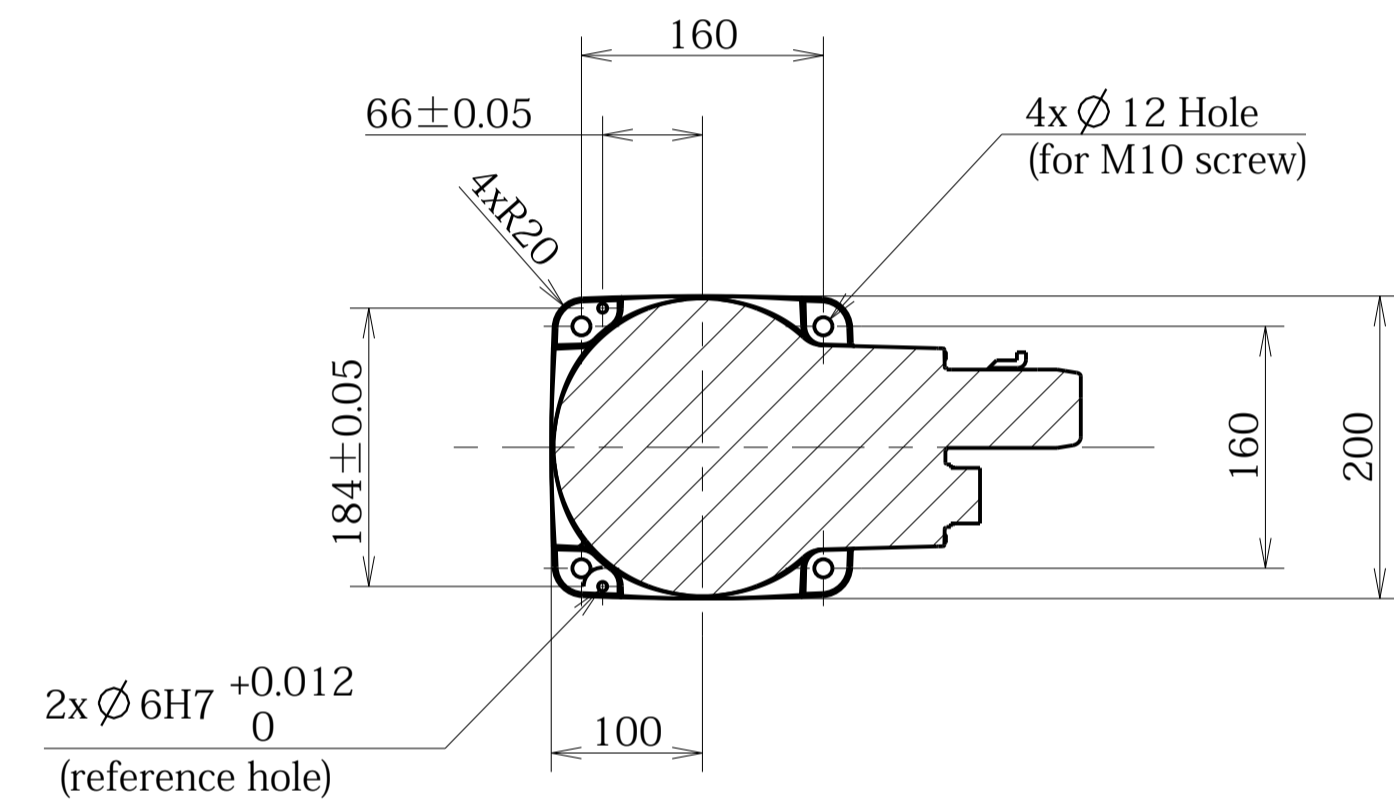


Detailed drawing of end-effector mounting face



B

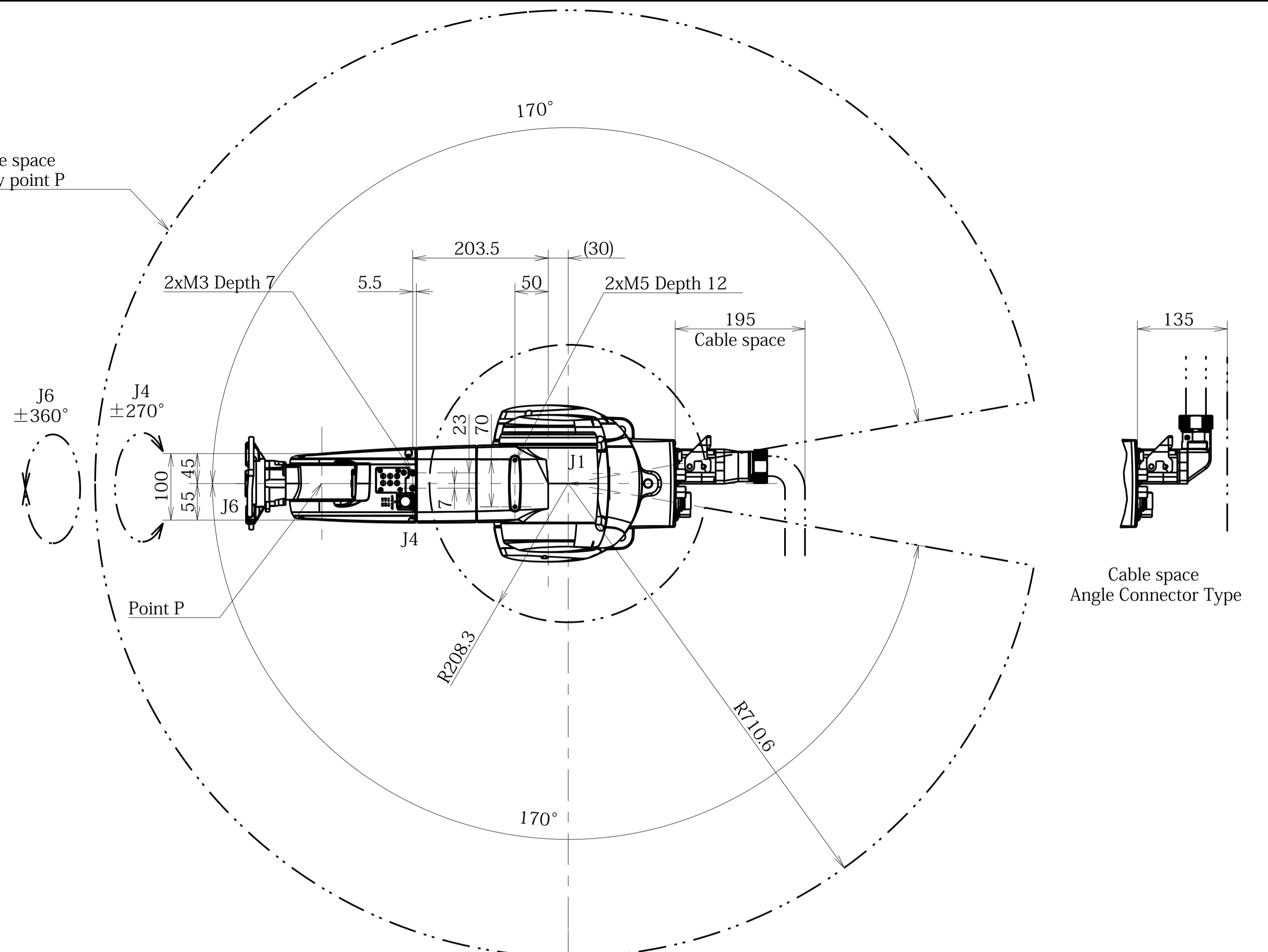
Detailed drawing of base mounting face



A-A

B

Workable space
definid by point P



J1=±170°
J2=+135° -100°
J3=+153° -120°
J4=±270°
J5=±120°
J6=±360°

