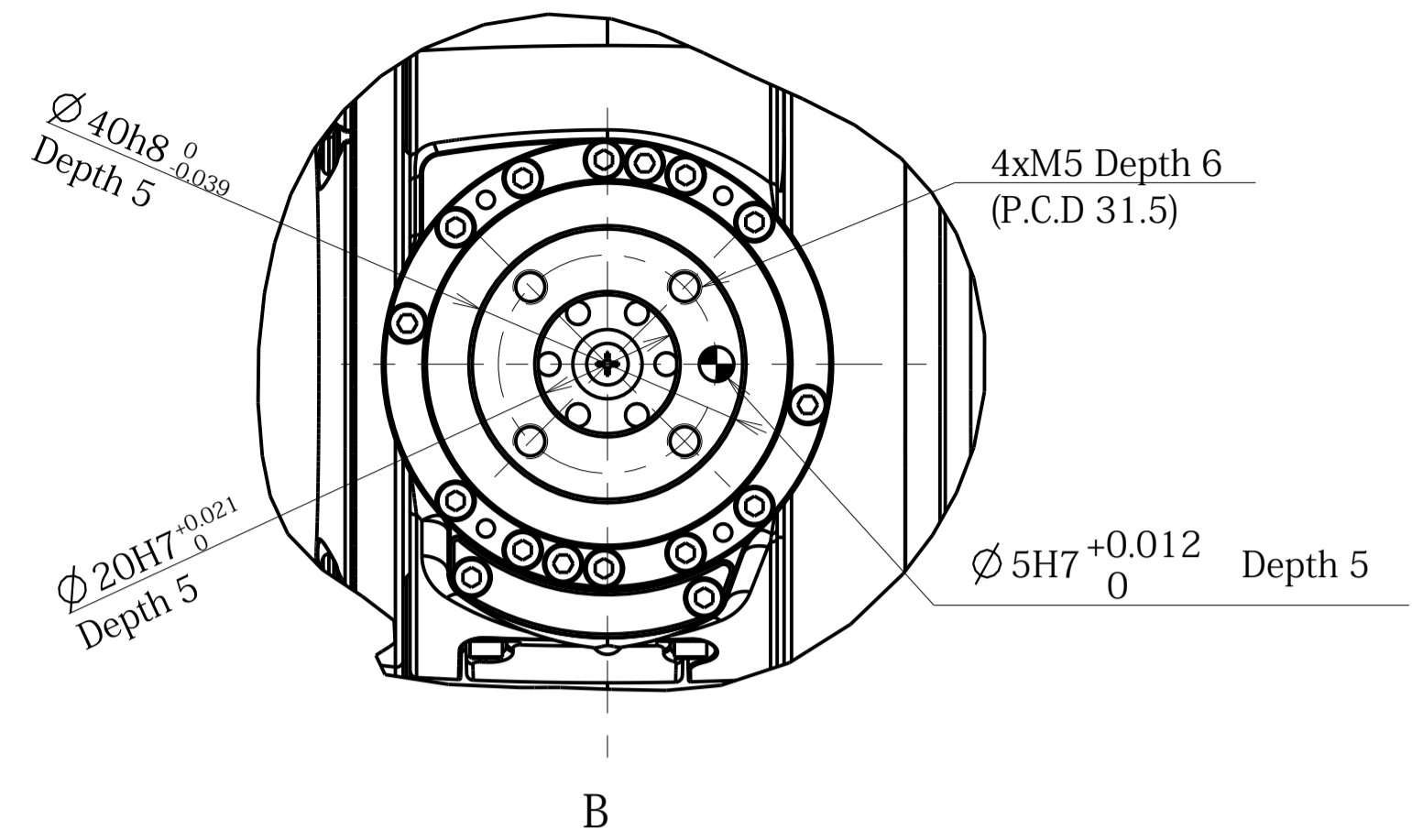
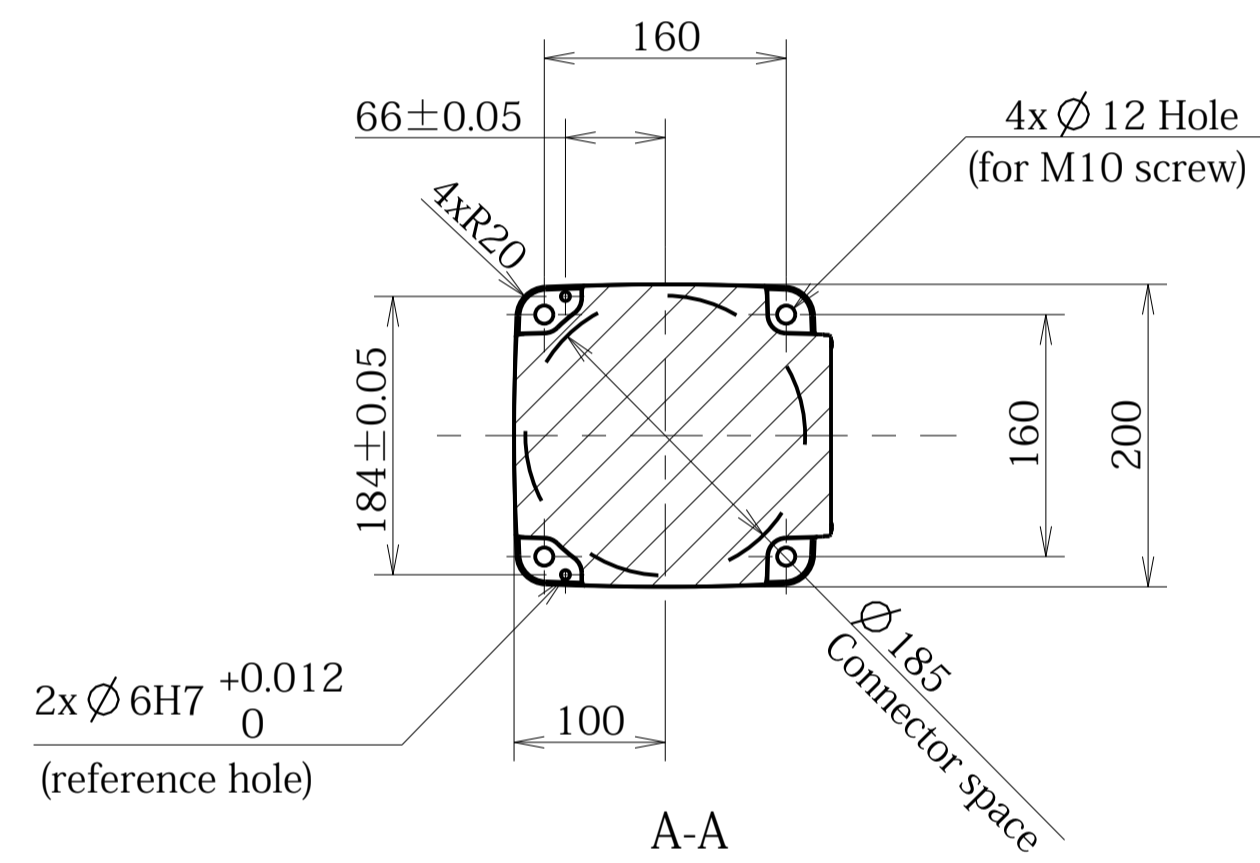


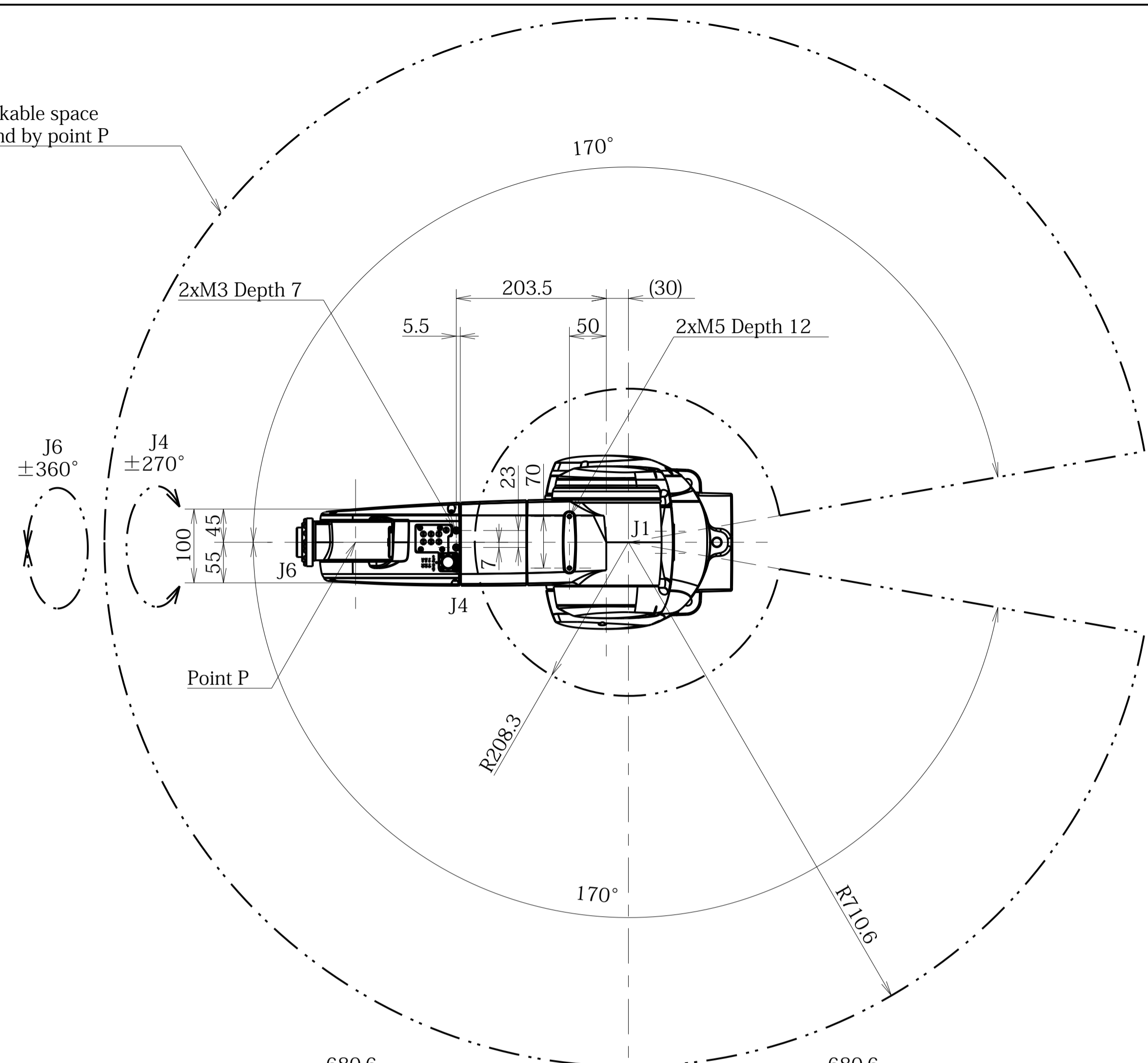
Detailed drawing of end-effector mounting face



Detailed drawing of base mounting face



Workable space defined by point P



- J1=±170°
- J2=+135°, -100°
- J3=+153°, -120°
- J4=±270°
- J5=±120°
- J6=±360°

Workable space defined by point P

