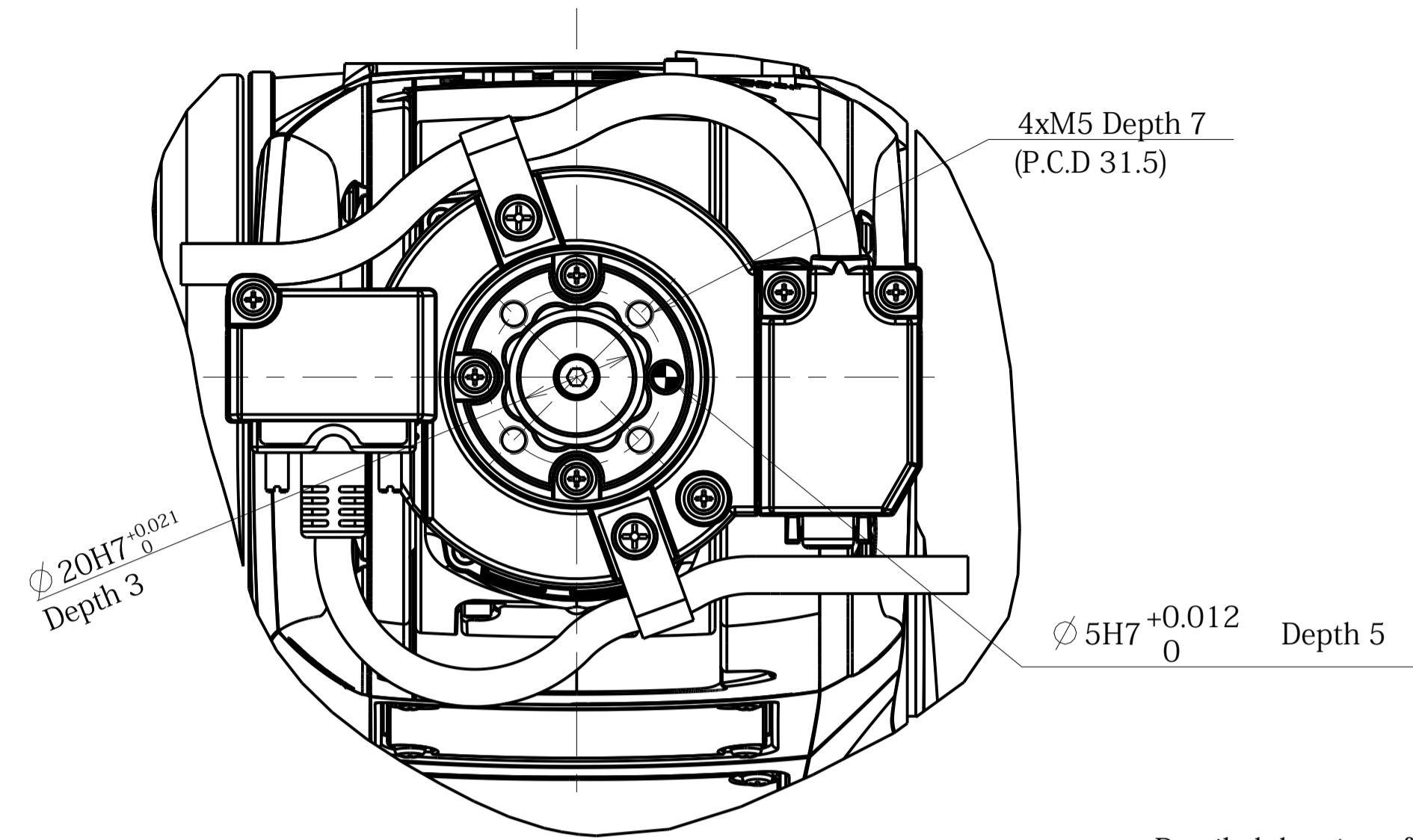
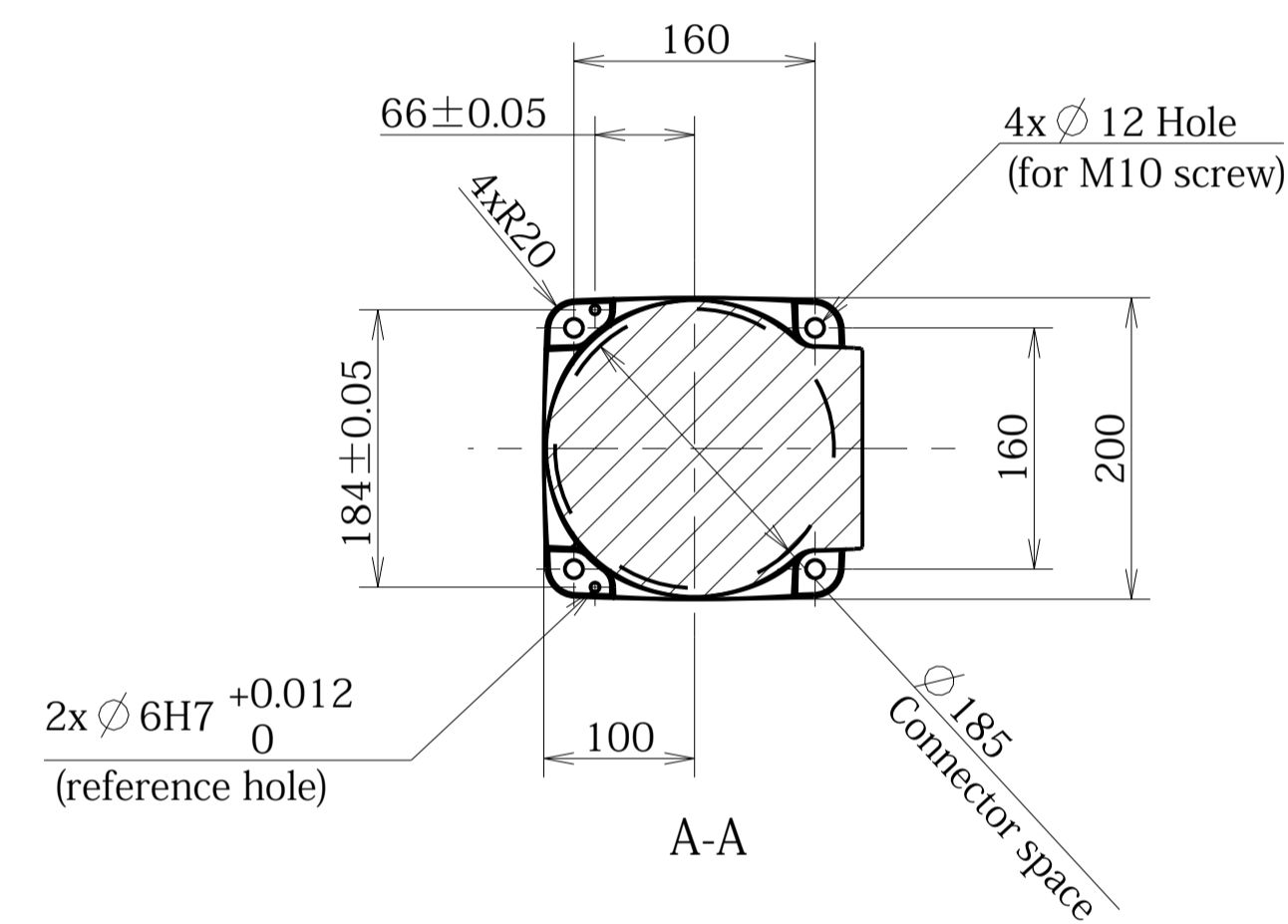


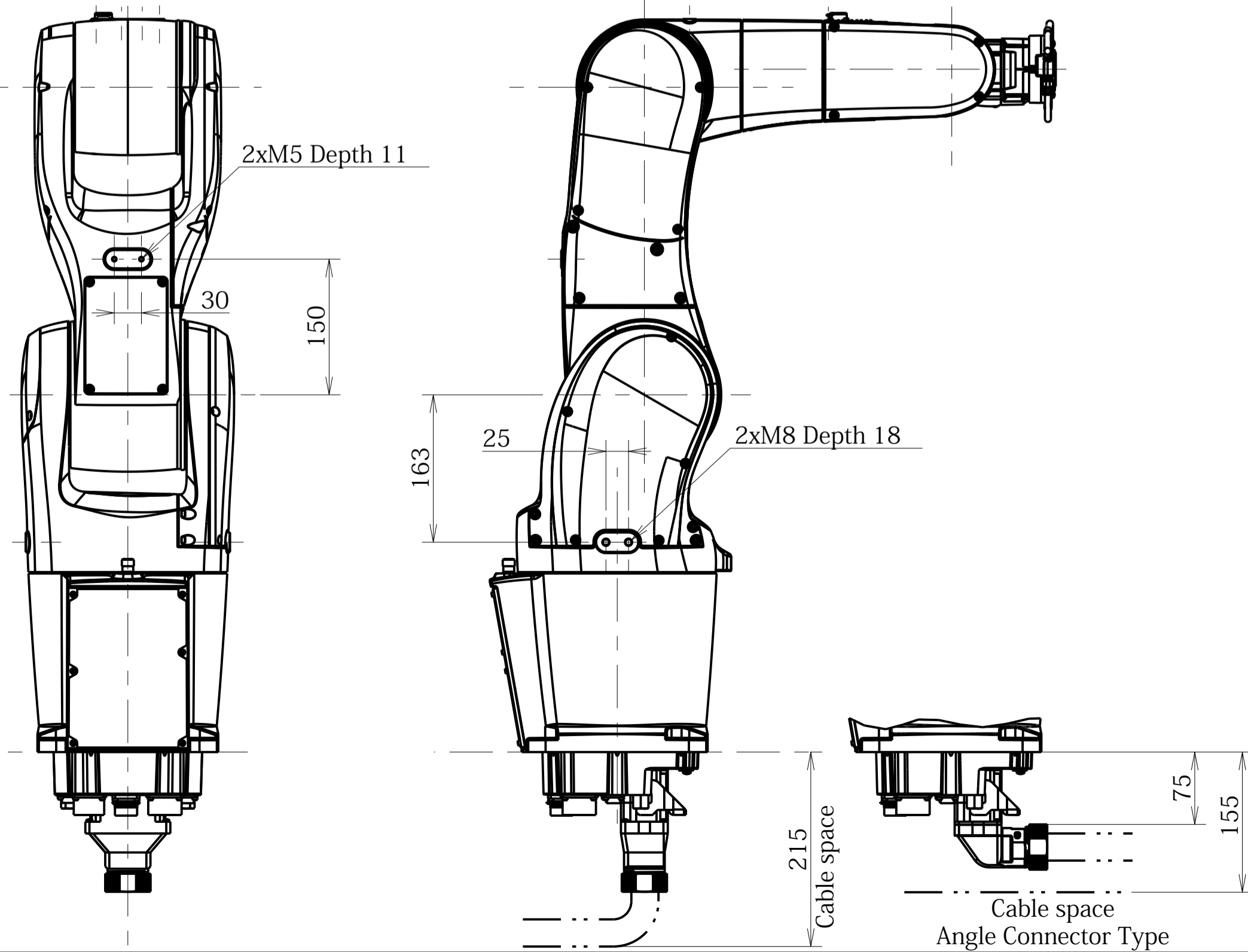
Detailed drawing of end-effector mounting face



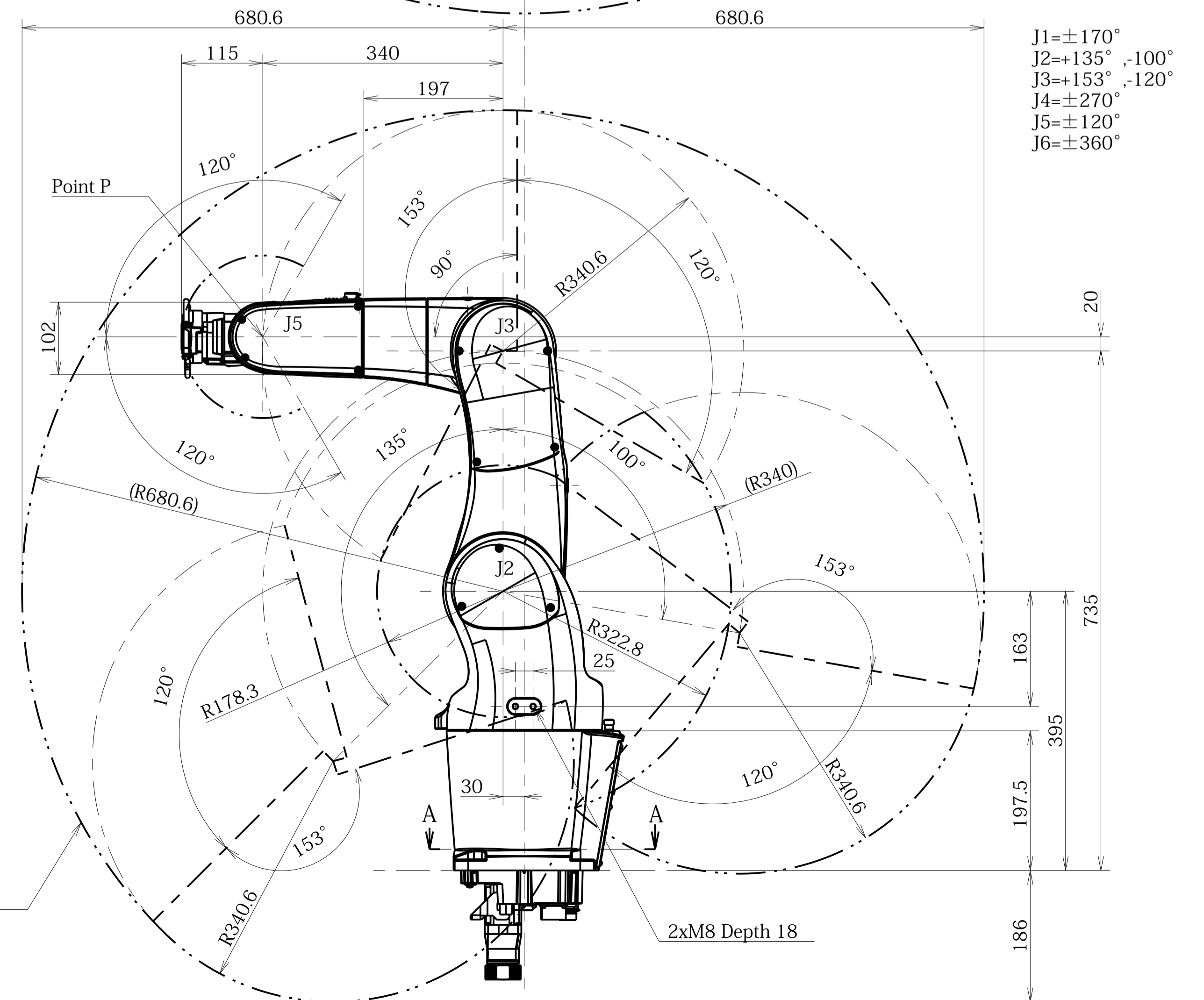
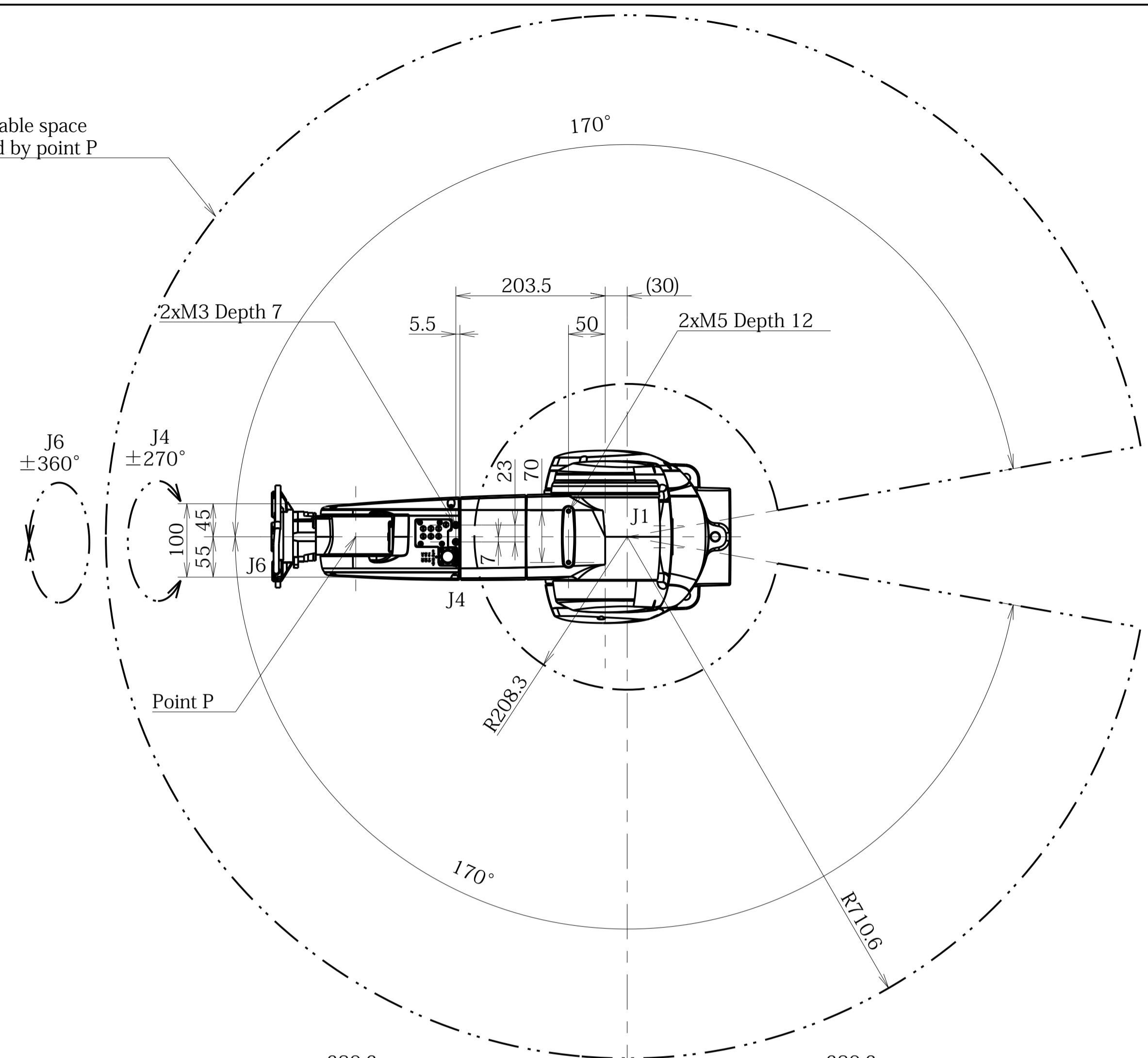
Detailed drawing of base mounting face



B



Workable space
defin by point P



Workable space
defin by point P