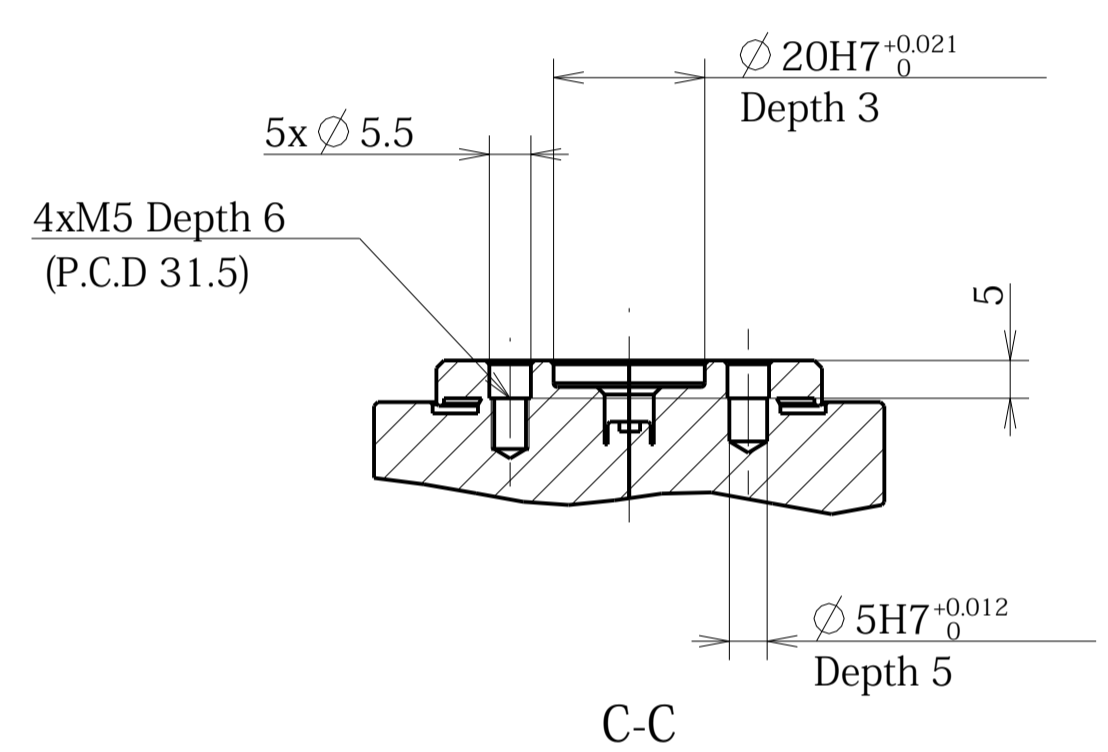
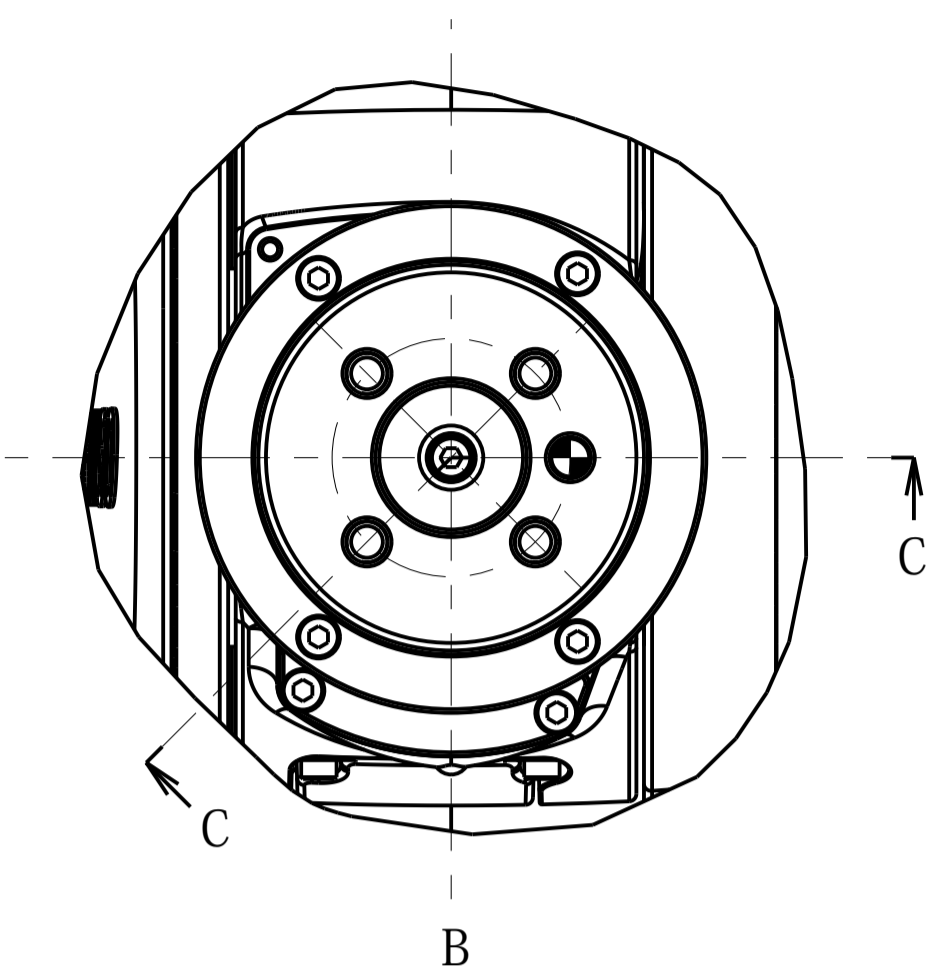
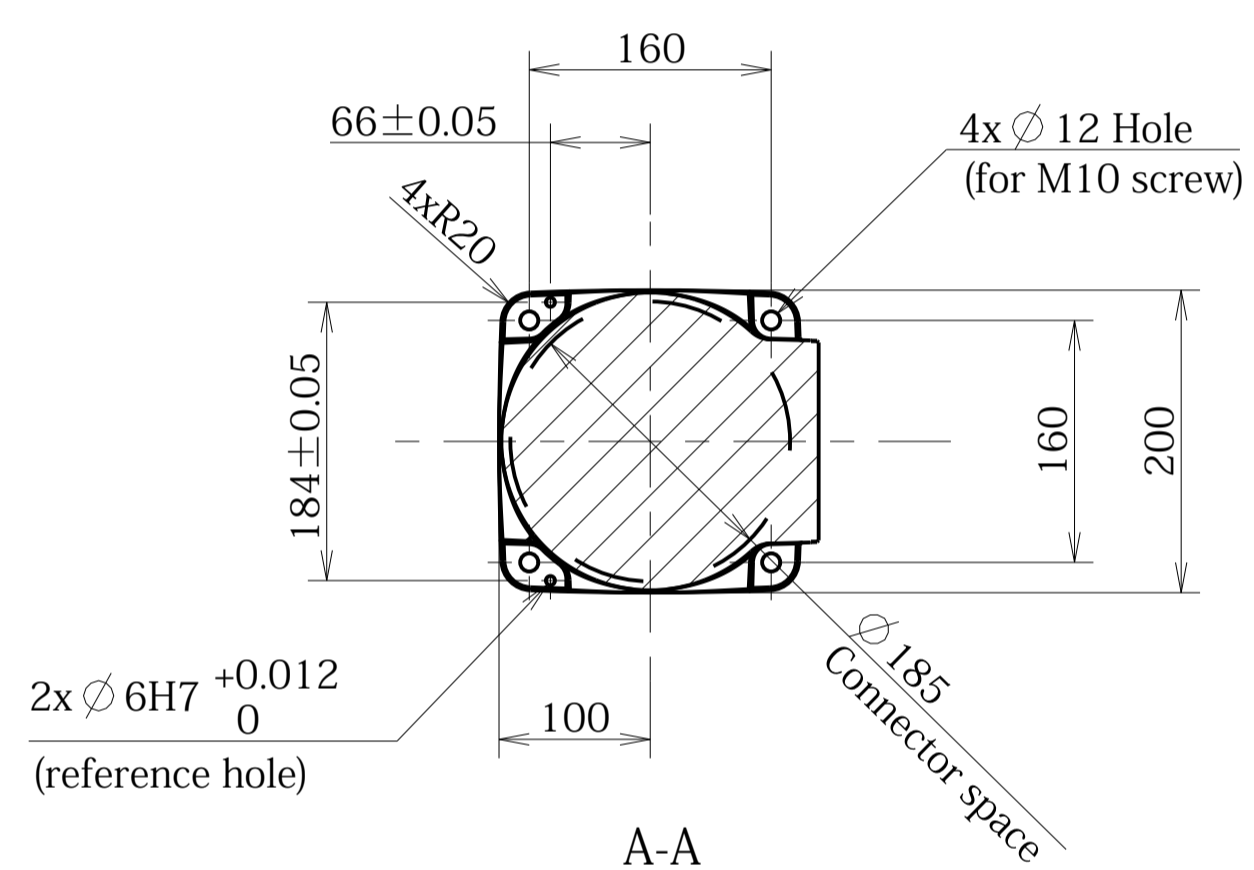


VS-068 (Bottom Connector Panel, Standard Flange, Cleanroom (class 5 cleanliness-ISO 14644-1)
 410590-3500
 VS-068 (Bottom Connector Panel, Standard Flange, Cleanroom (class 3 cleanliness-ISO 14644-1)
 410590-3660

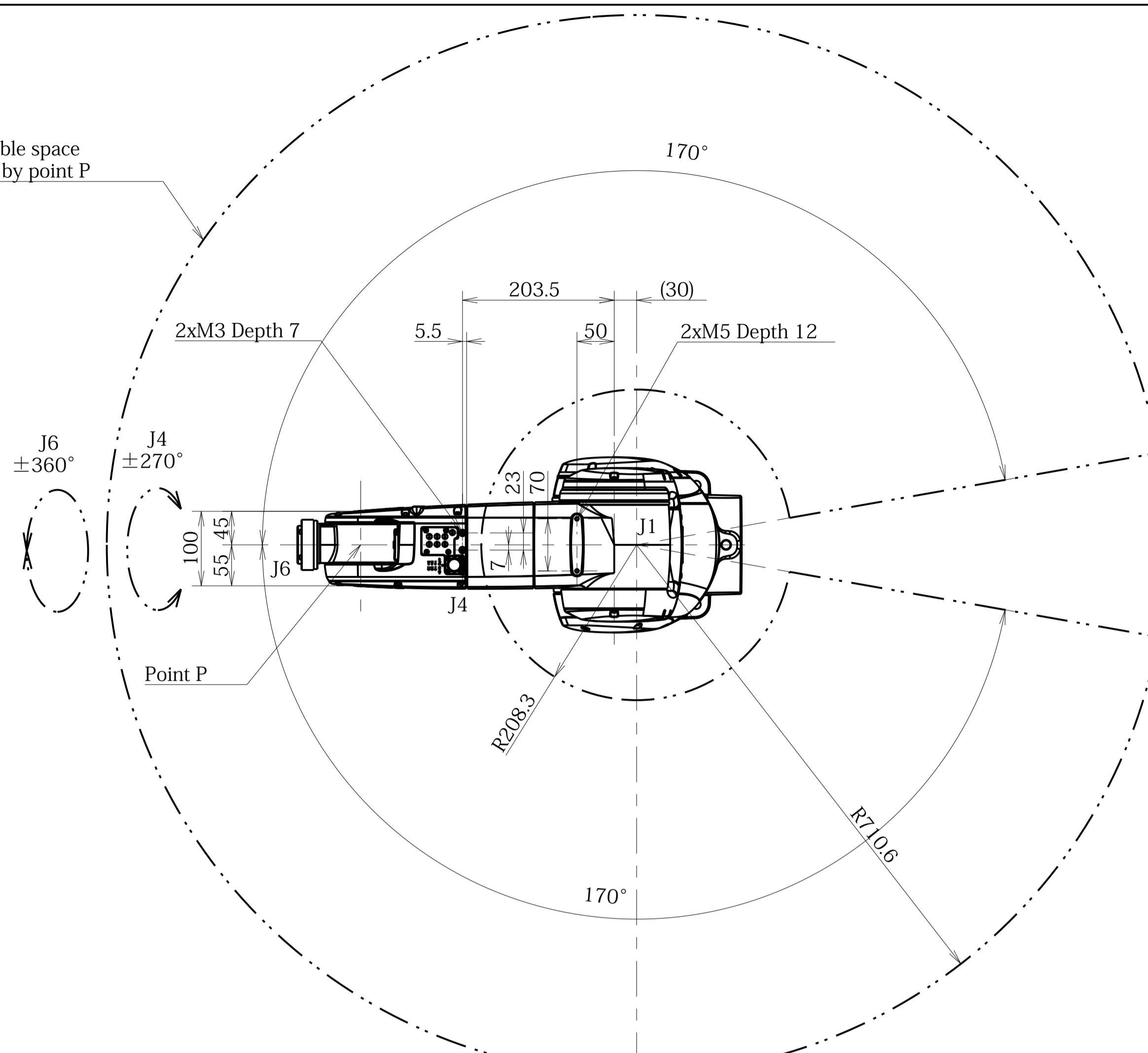
Detailed drawing of end-effector mounting face



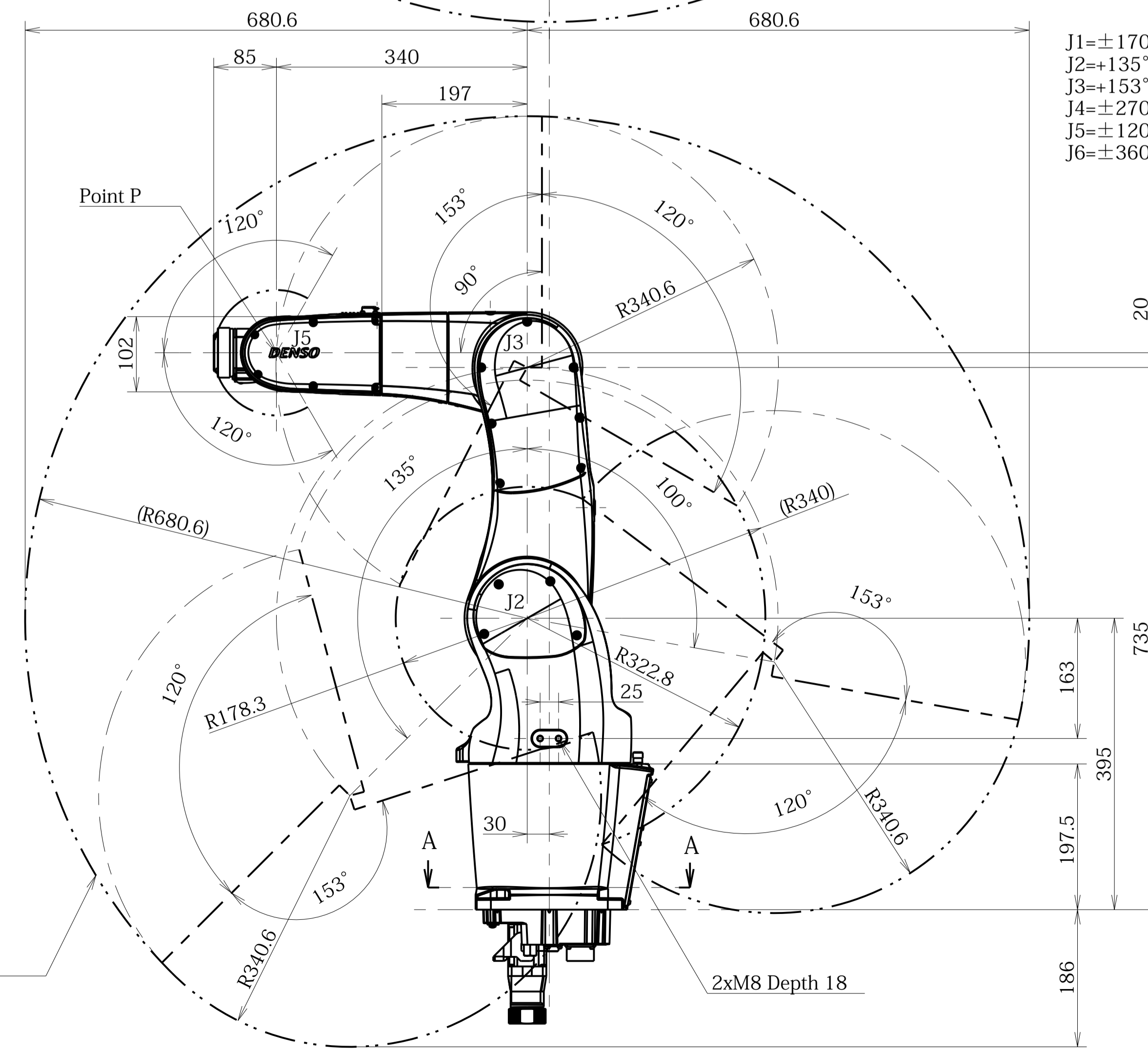
Detailed drawing of base mounting face



Workable space
 defined by point P



J1=±170°
 J2=+135° -100°
 J3=+153° -120°
 J4=±270°
 J5=±120°
 J6=±360°



Workable space
 defined by point P

