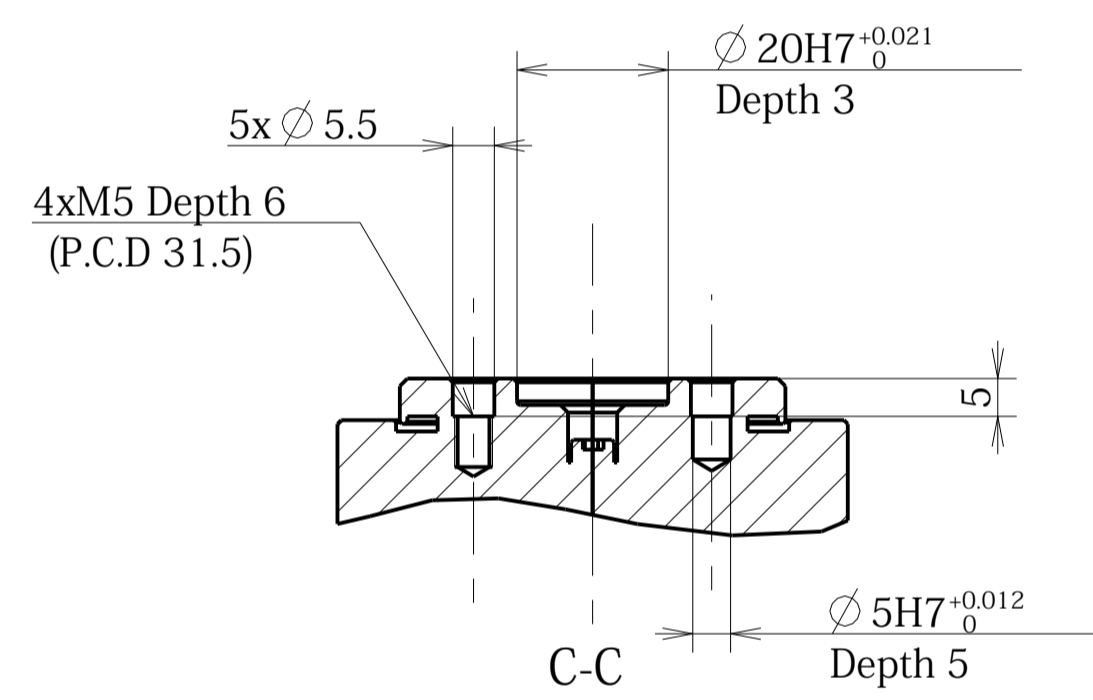
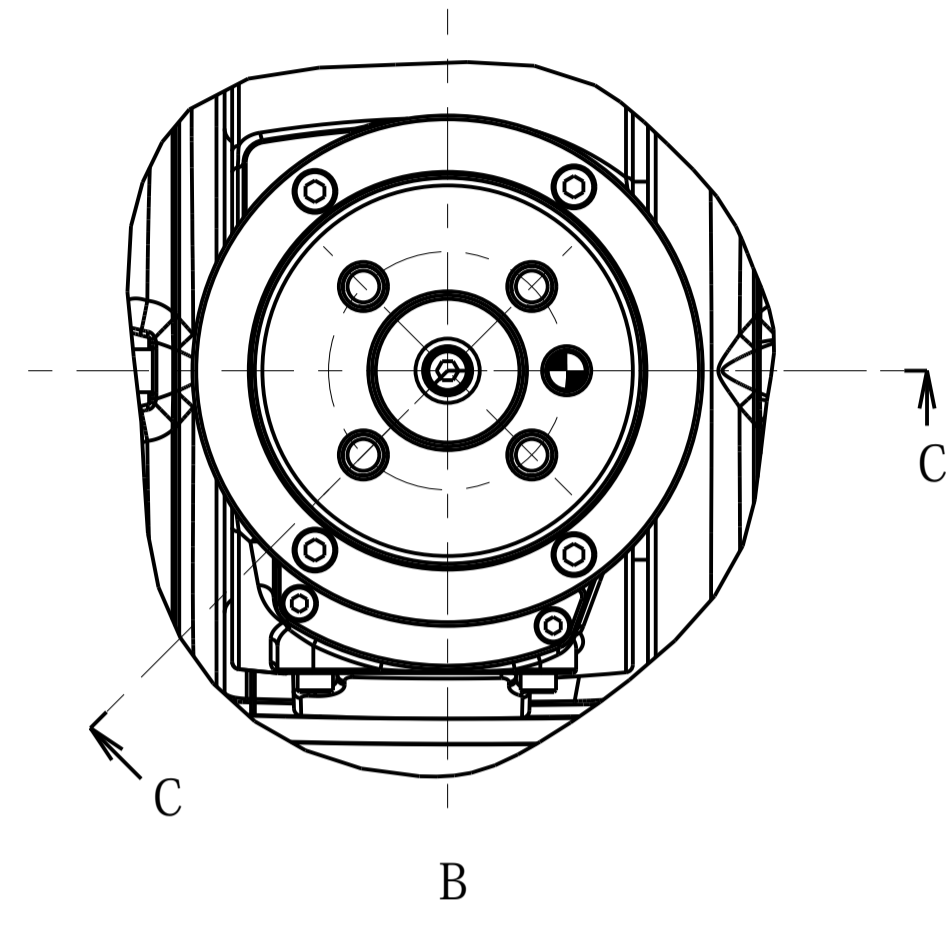
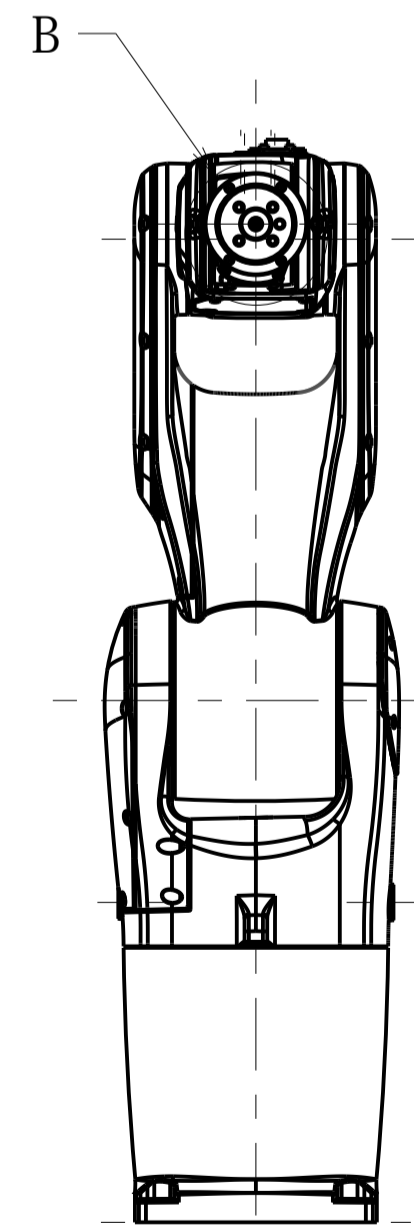
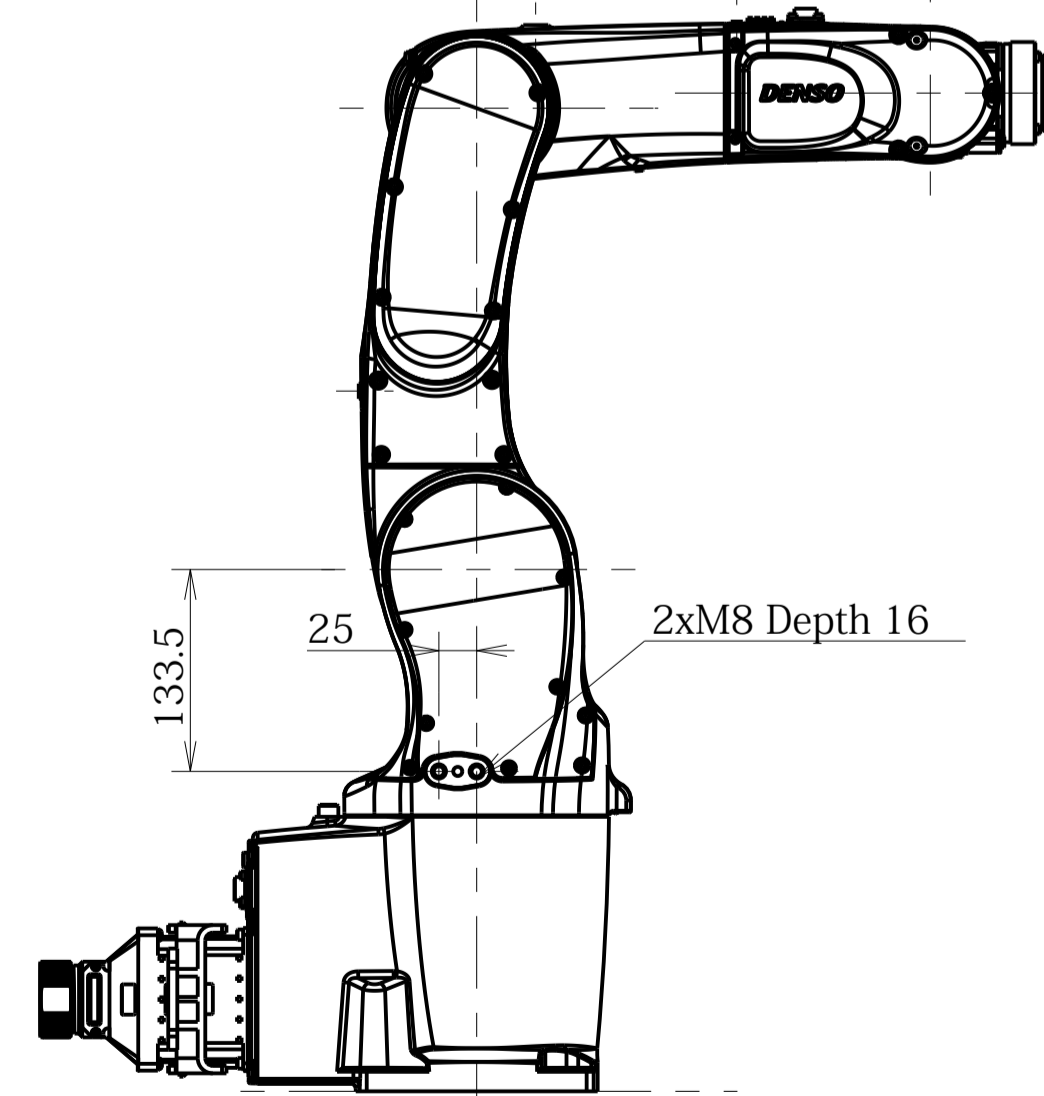
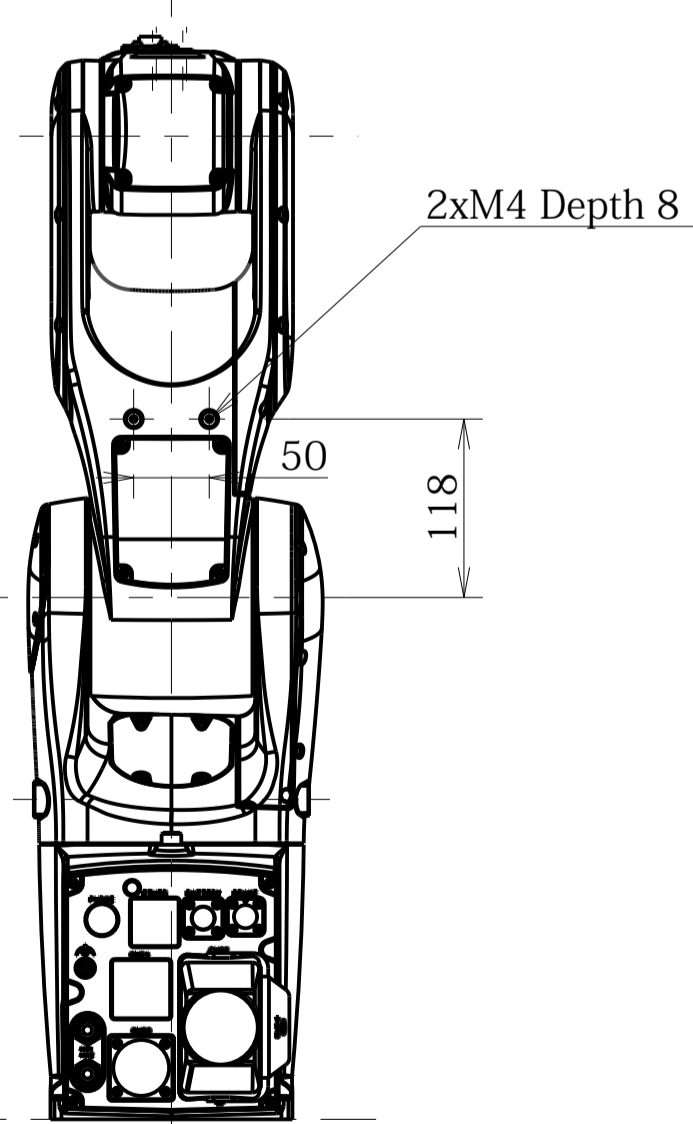
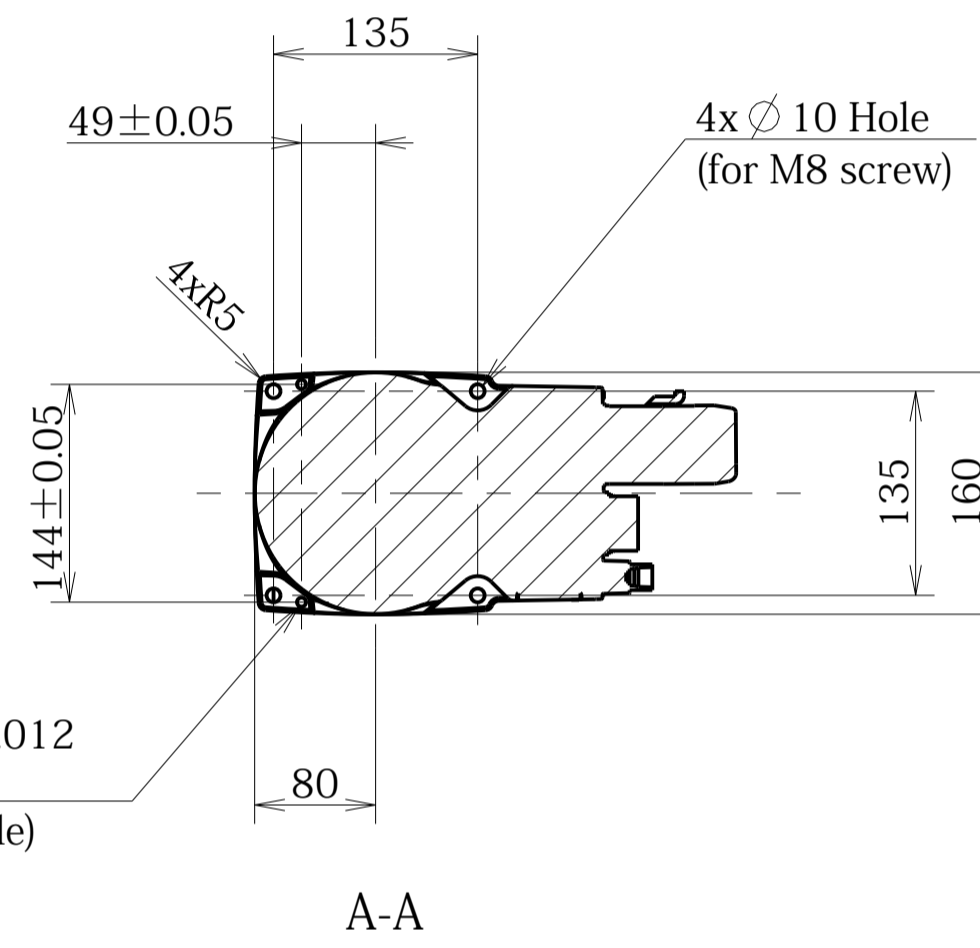


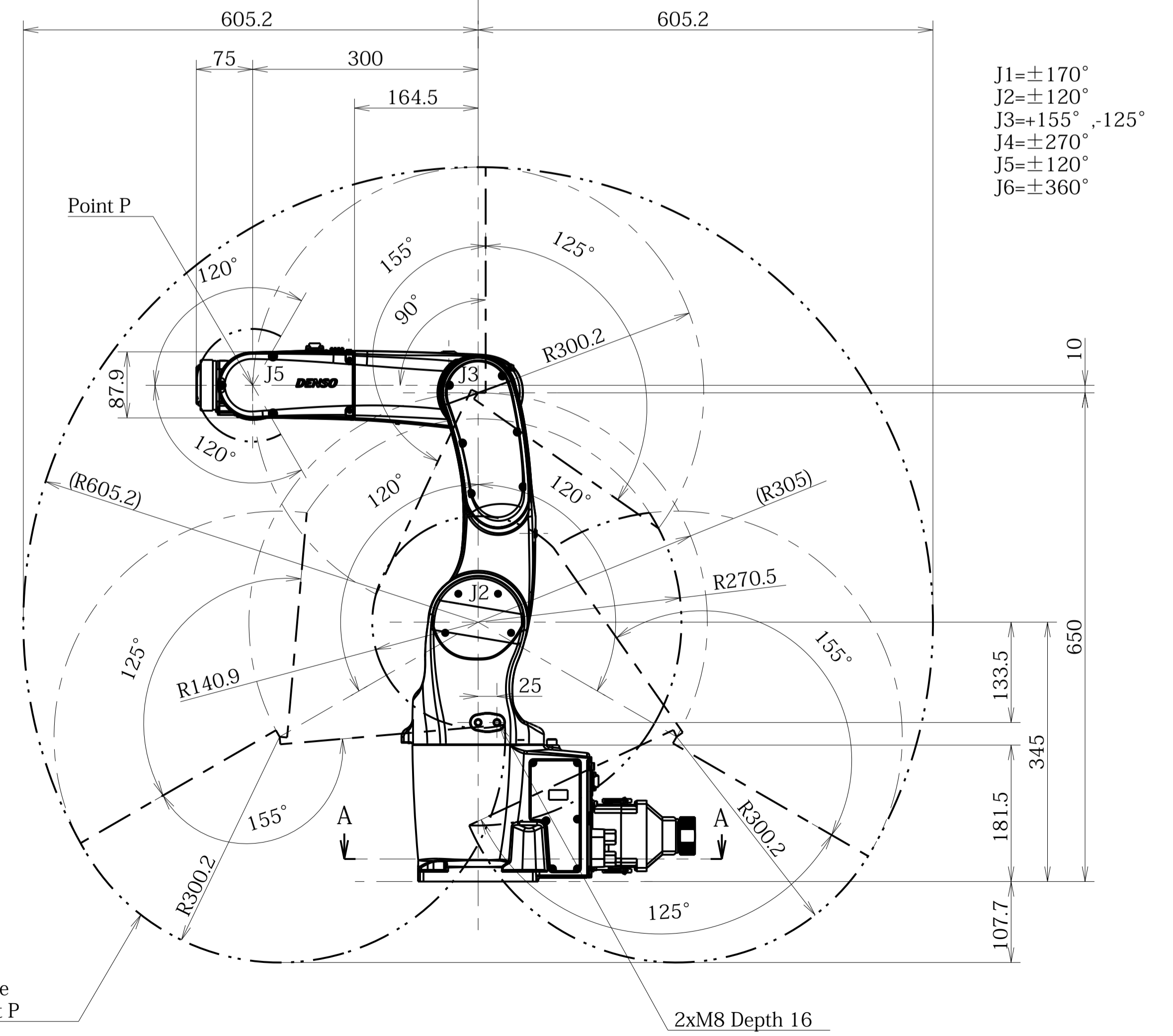
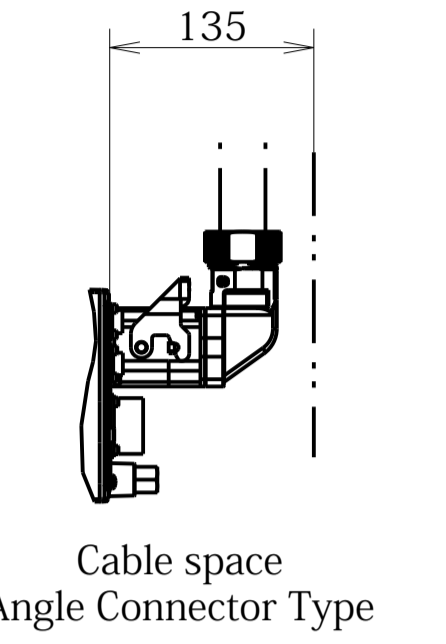
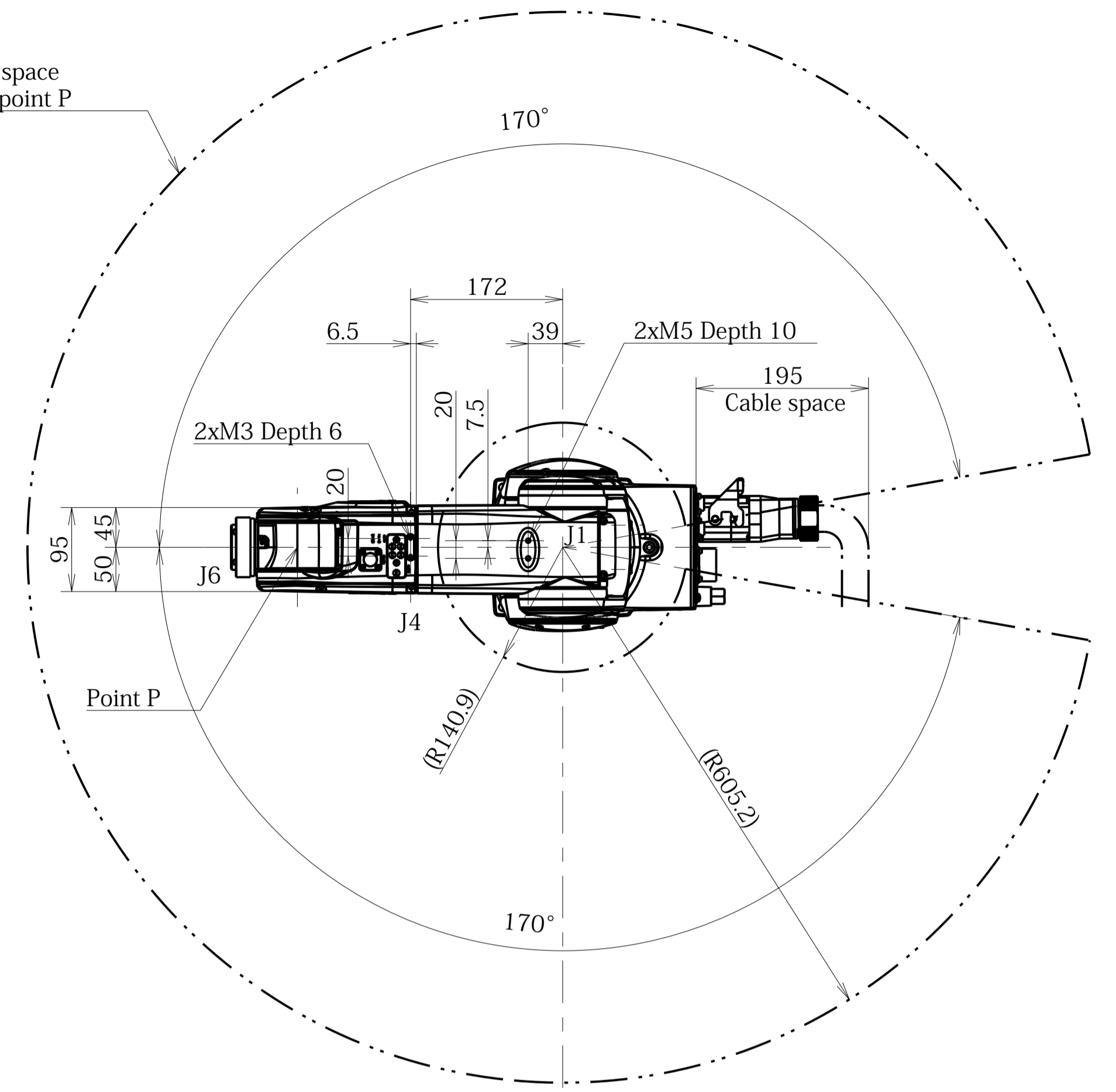
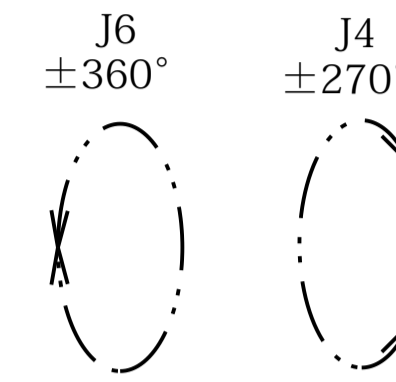
Detailed drawing of end-effector mounting face



Detailed drawing of base mounting face



Workable space
 defined by point P



Workable space
 defined by point P