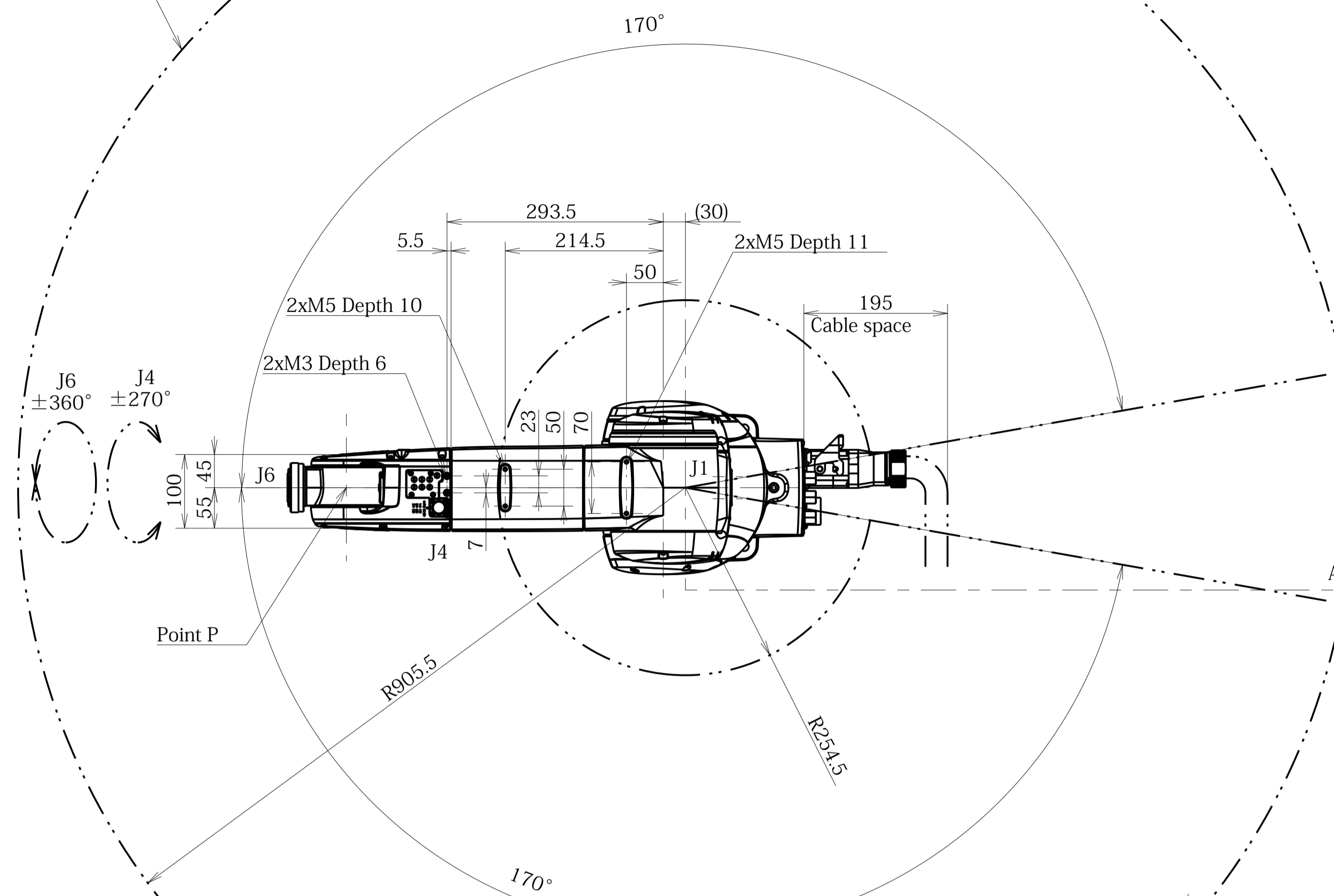
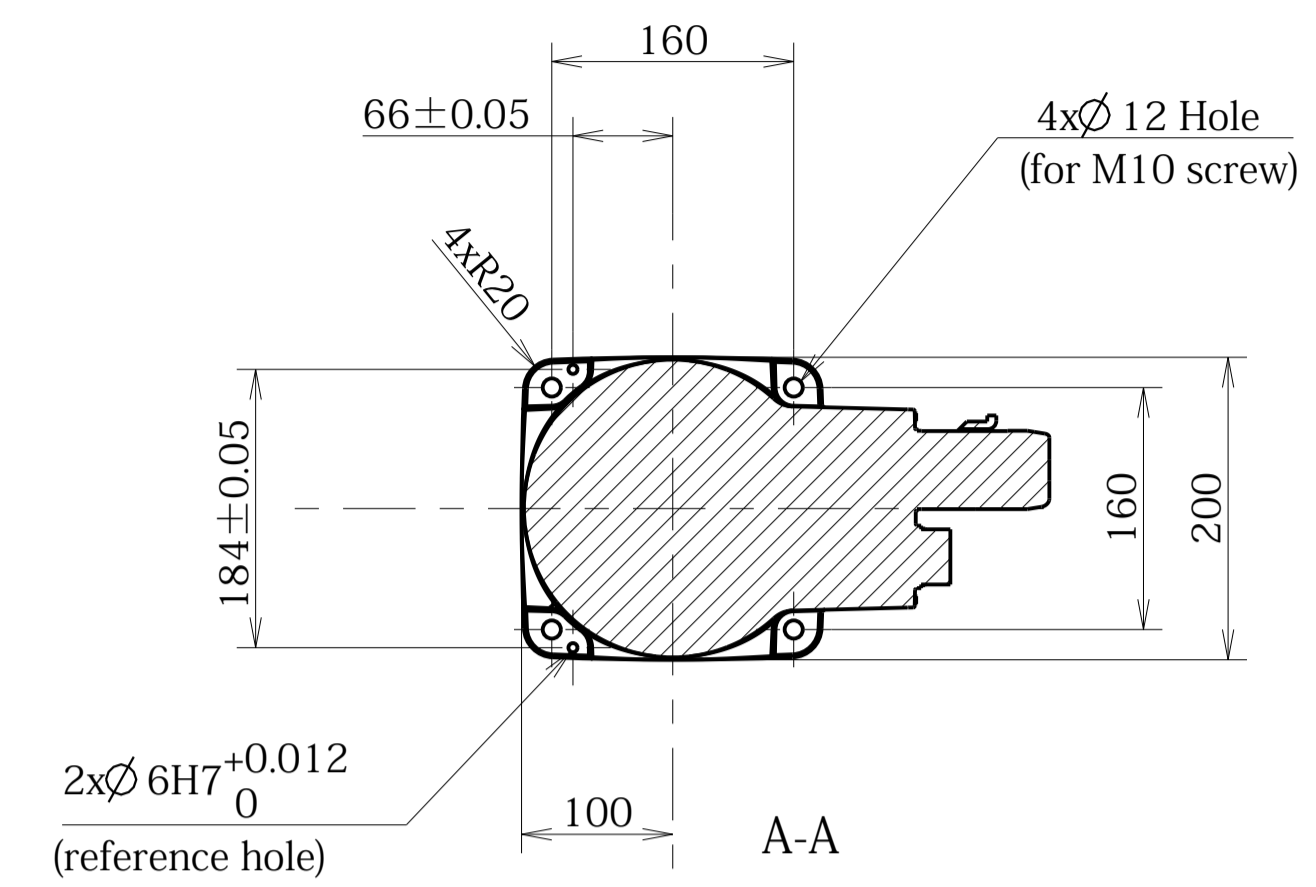


VS-087 (Rear Connector Panel, Standard Flange, Protected type (IP67))  
 410590-3270  
 VS-087 (Rear Connector Panel, Standard Flange, Dust & Mist Proof (IP54 (Wrist IP65)))  
 410590-3430

Workable space  
 defined by point P

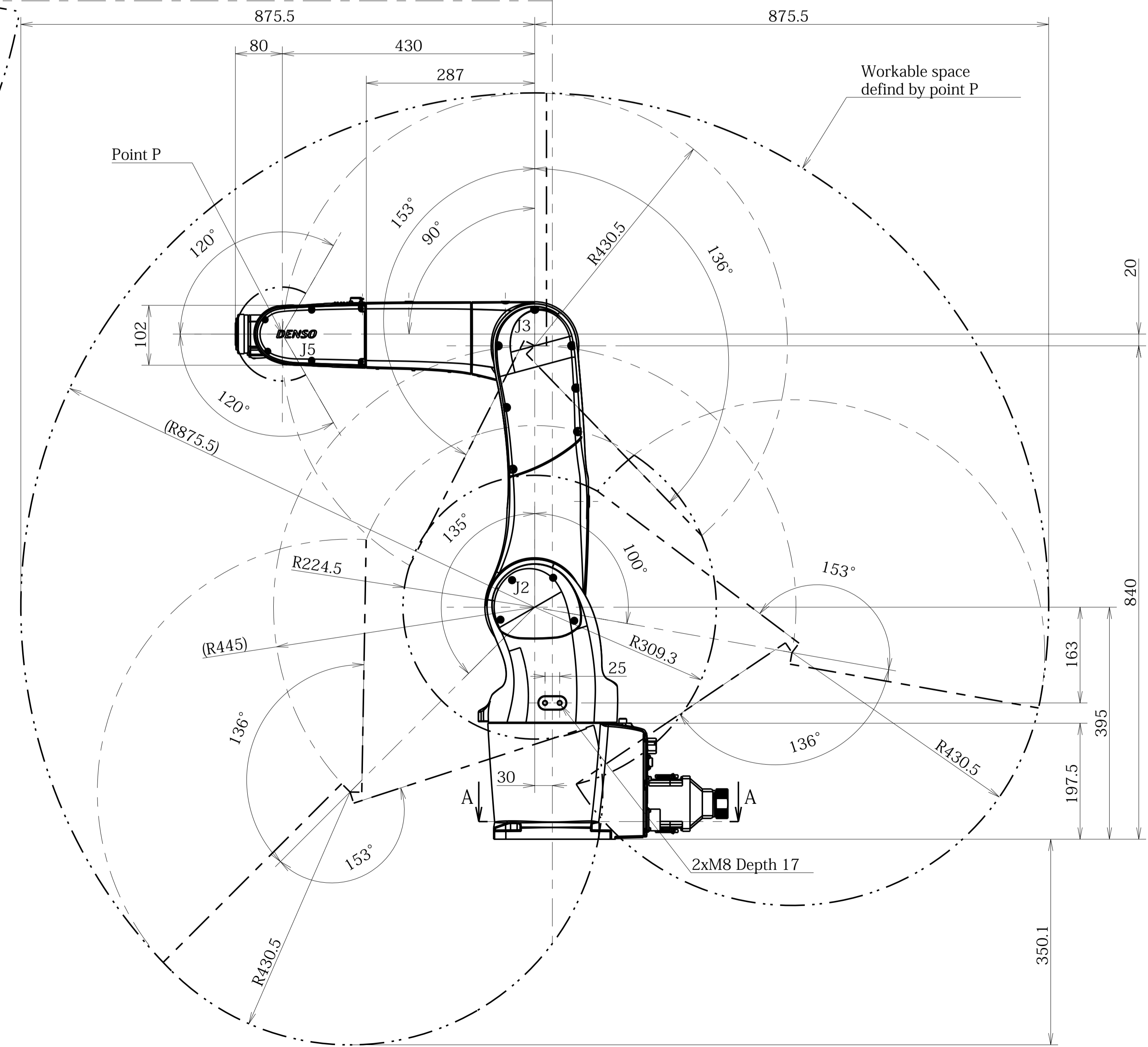


Detailed drawing of base mounting face



- J1=±170°
- J2=+135° -100°
- J3=+153° -136°
- J4=±270°
- J5=±120°
- J6=±360°

Cable space  
 Angle Connector Type



Detailed drawing of end-effector mounting face

