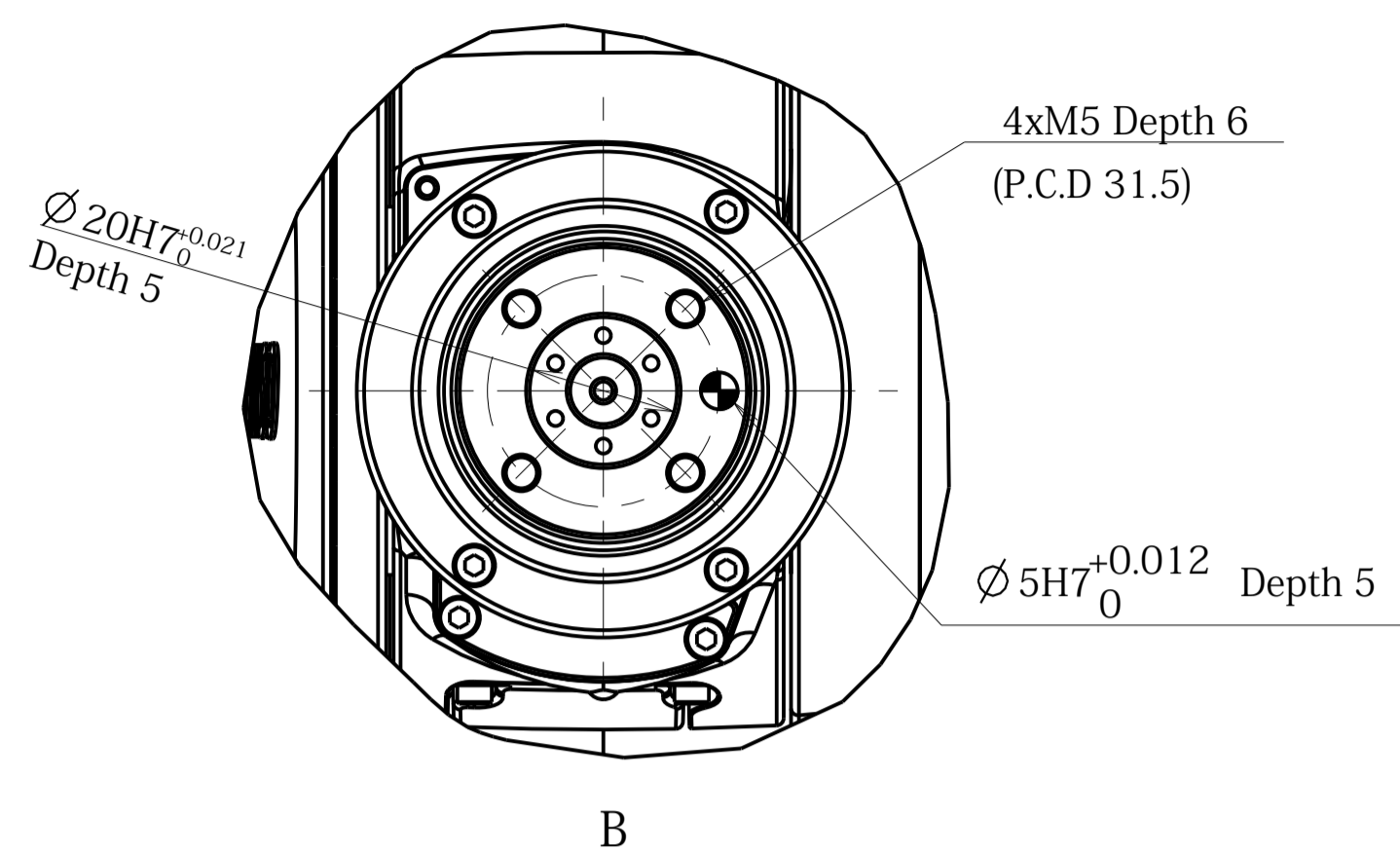
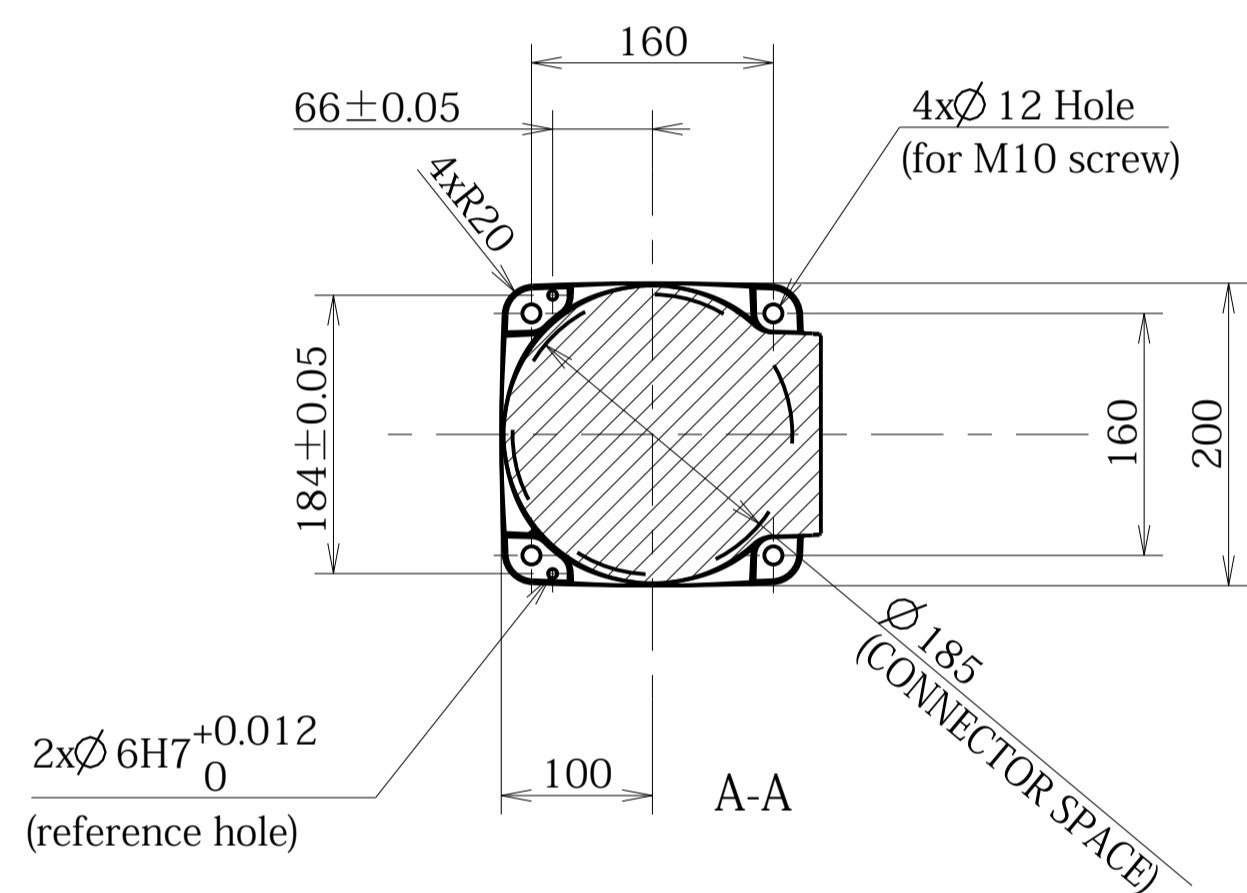


VS-068 (Bottom Connector Panel, Standard Flange, Protected type (IP67))
 410590-3260
 VS-068 (Bottom Connector Panel, Standard Flange, Dust & Mist Proof (IP54(Wrist:IP65)))
 410590-3420

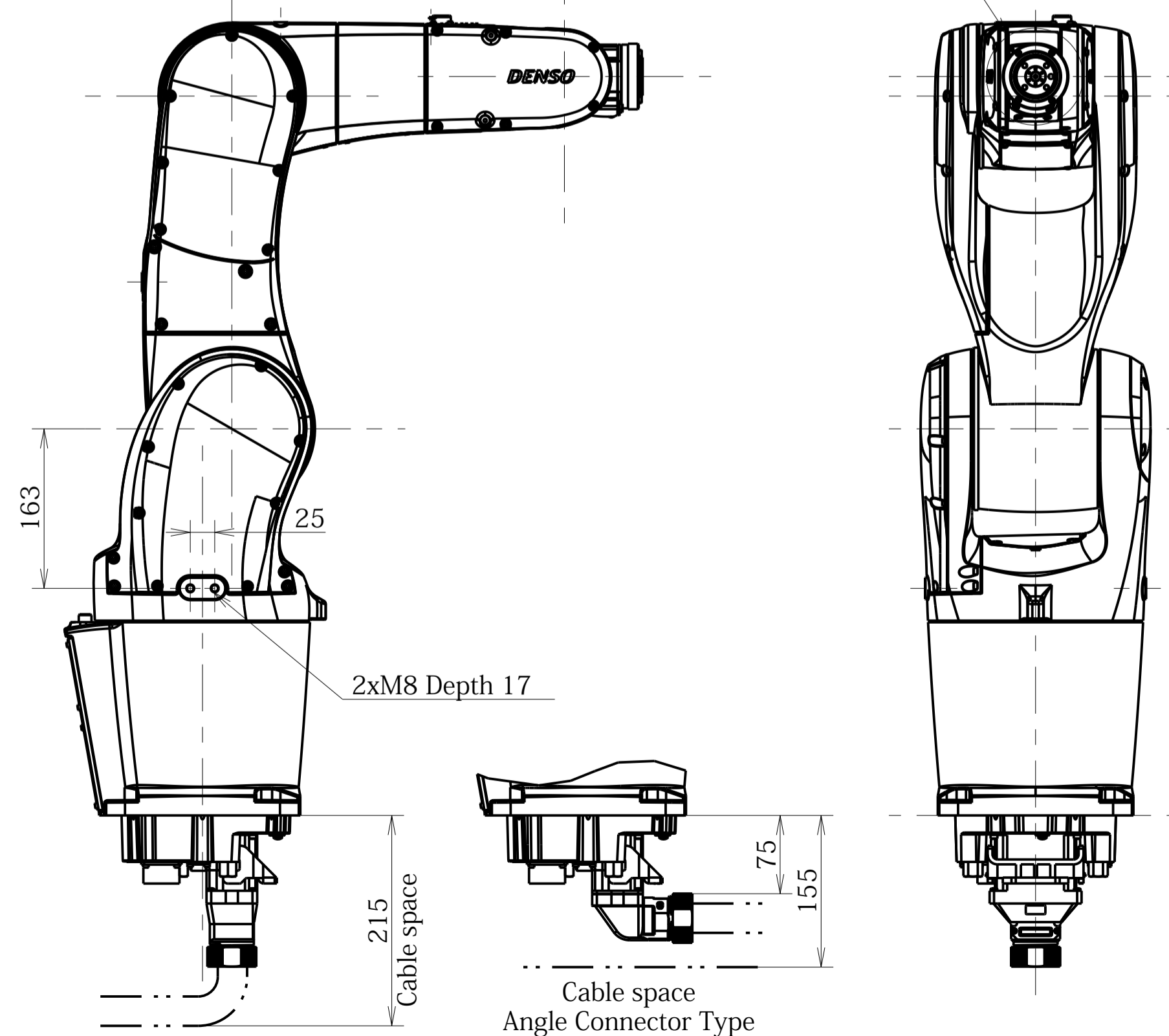
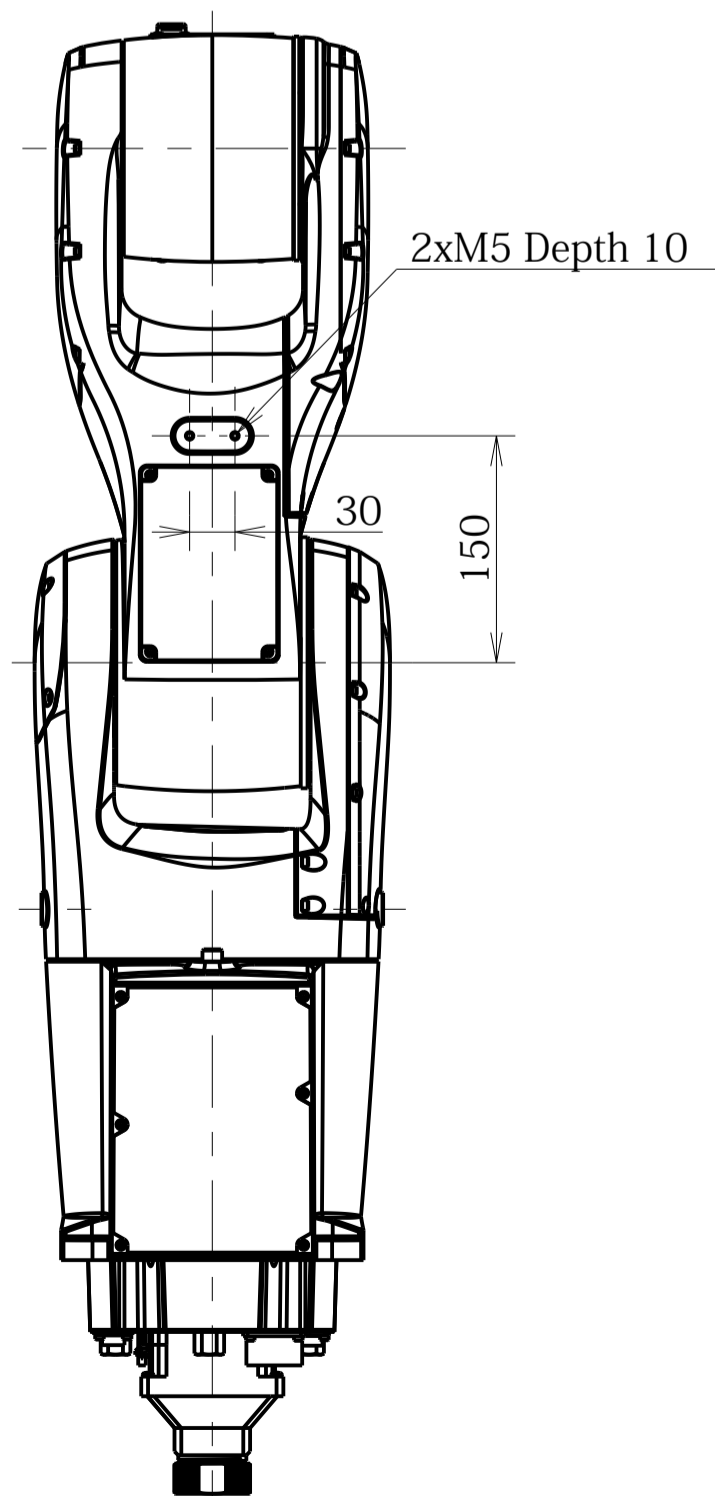
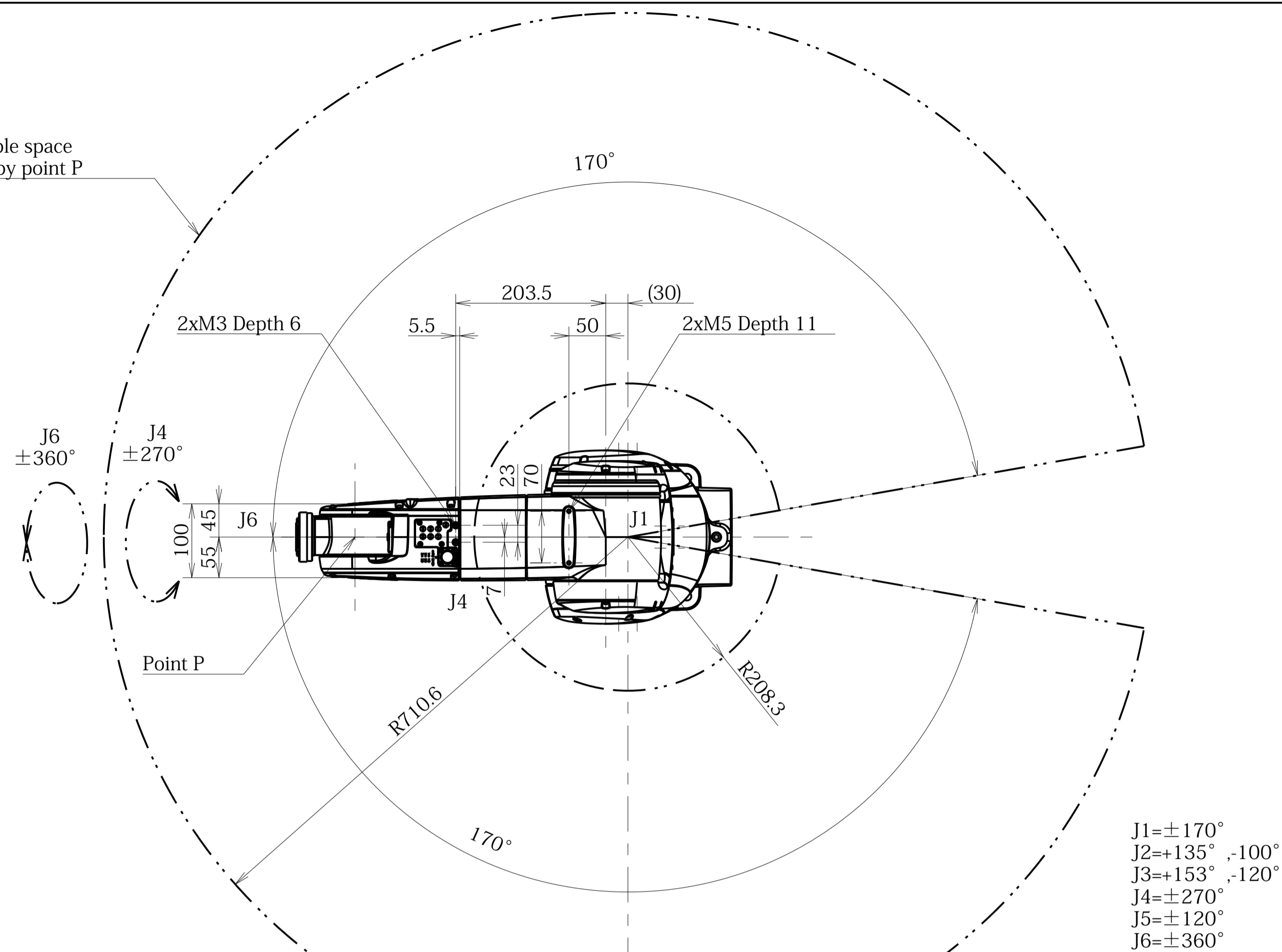
Detailed drawing of end-effector mounting face



Detailed drawing of base mounting face



Workable space
 definid by point P



Workable space
 definid by point P

