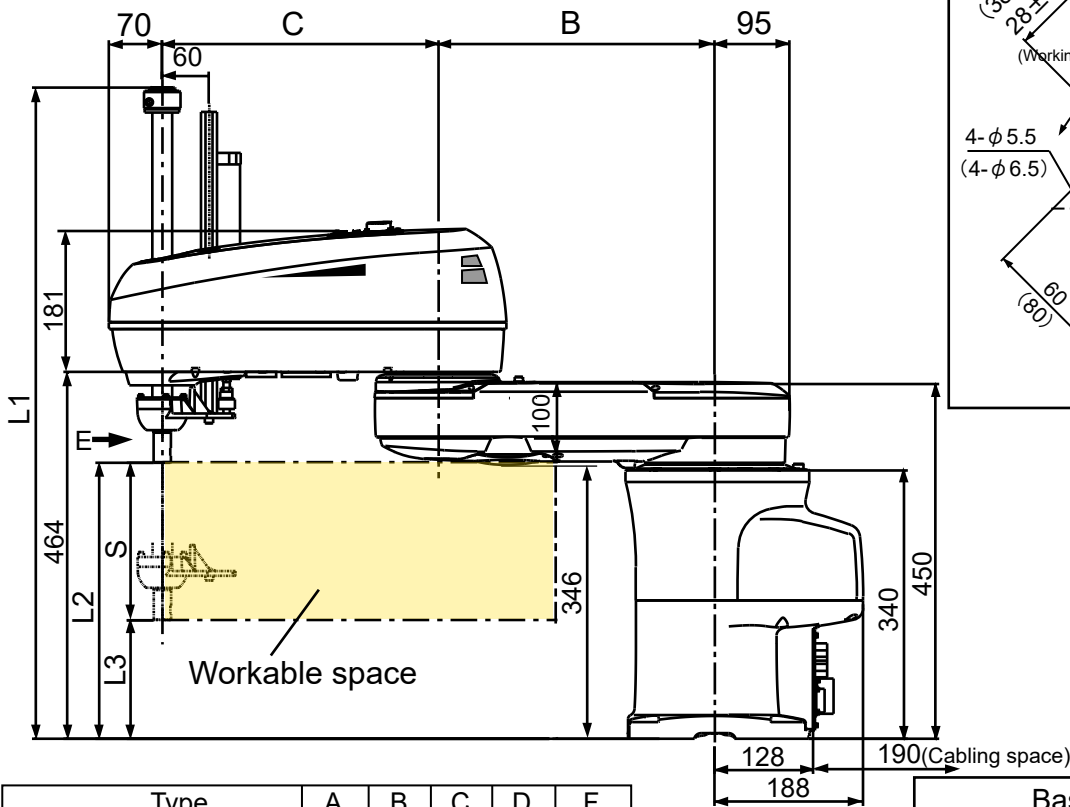
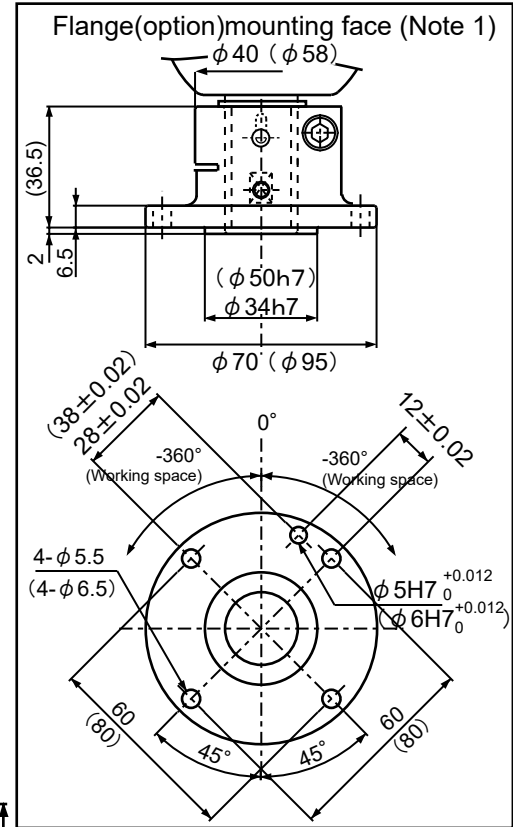
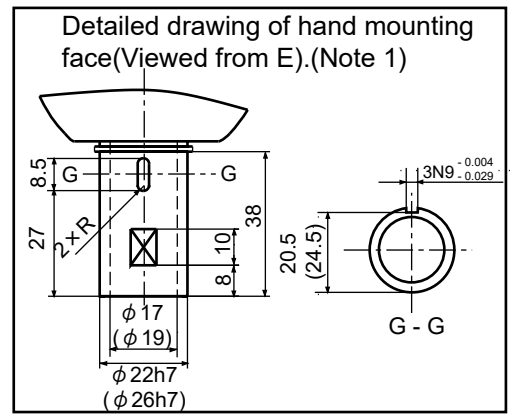


Workable space



| Type | A | B | C | D | F |
|--------------------|------|-----|-----|-----|------|
| HM-4060*, HM-4A60* | 600 | 250 | 350 | 213 | 286° |
| HM-4070*, HM-4A70* | 700 | 350 | 350 | 199 | 294° |
| HM-4085*, HM-4A85* | 850 | 350 | 500 | 281 | 294° |
| HM-40A0*, HM-4AA0* | 1000 | 500 | 500 | 284 | 294° |

| S (Z axis stroke) | L1 | | L2 | L3 |
|----------------------|------|------|-----|-----|
| | 10kg | 20kg | | |
| 100 | 755 | 749 | 350 | 250 |
| 150 | 805 | 799 | 350 | 200 |
| 200 | 855 | 849 | 350 | 150 |
| 300 | 955 | 949 | 350 | 50 |
| 400 (Note 2) | 1055 | 1049 | 350 | -50 |

Note 1: Values denote dimensions for the 10kg payload type (HM-40***), and values enclosed in () denote dimensions for the 20kg payload type (HM-4A***).
 Note 2: In the case of the Z axis 400mm stroke type, the lowermost end of the Z axis may reach lower position than the base mounting face.

Unit : mm

