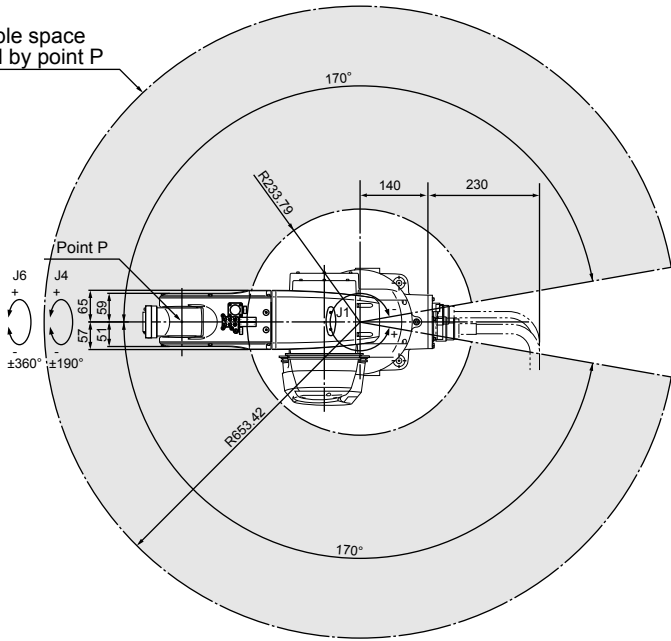
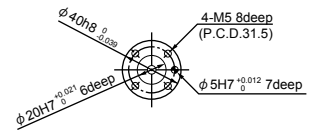


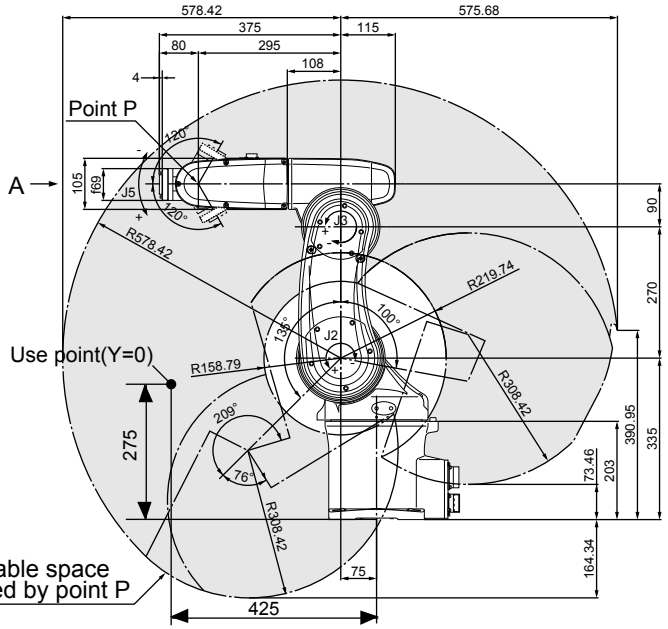
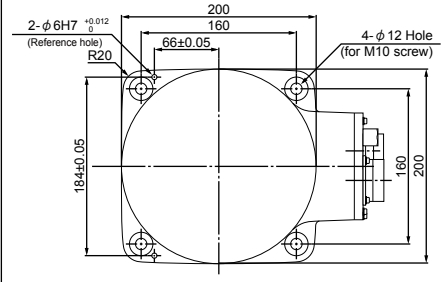
Workable space defined by point P



Detailed drawing of end-effector mounting face (View from A)



Detailed drawing of base mounting face (Top view)



Workable space defined by point P