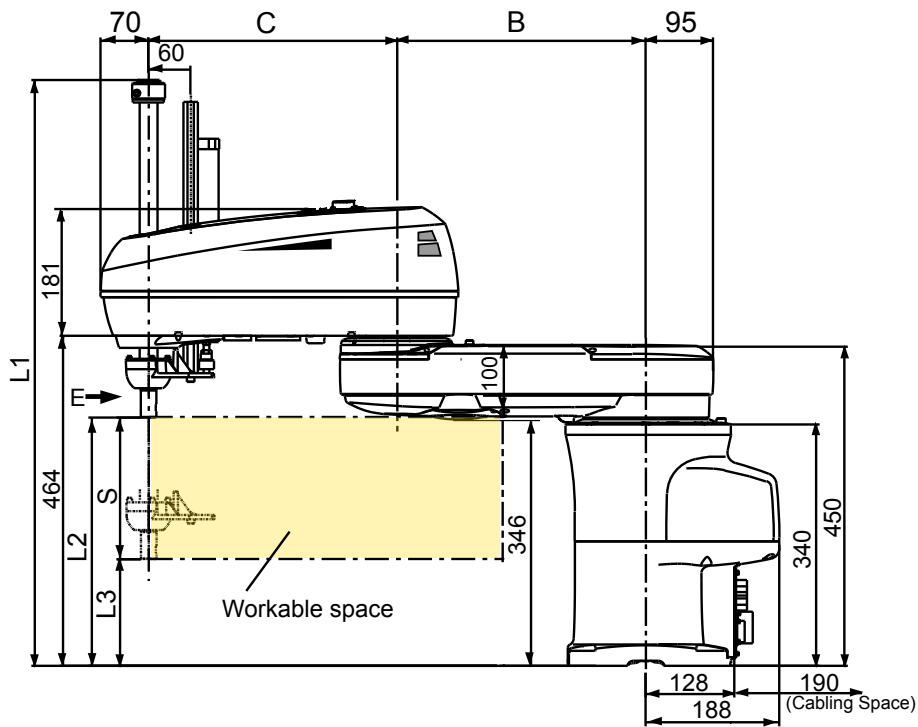


Workable space



Workable space

Model	A	B	C	D	F
HM-4070*G	700	350	350	199	294°

S(Z axis stroke)	L1	L2	L3
100	754.7	350	250
150	804.7	350	250
200	855	350	150
300	955	350	50
400(Note1)	1055	350	-50

Note1 : In case of the Z axis 400mm stroke type, the Z axis in the lowermost position may reach lower than the base mounting face.

Unit : mm

